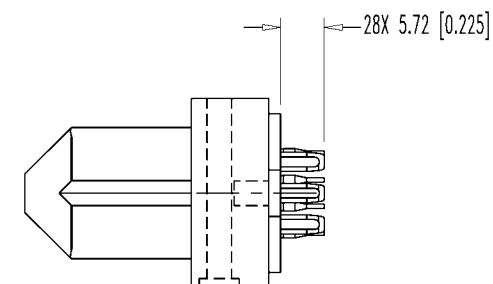
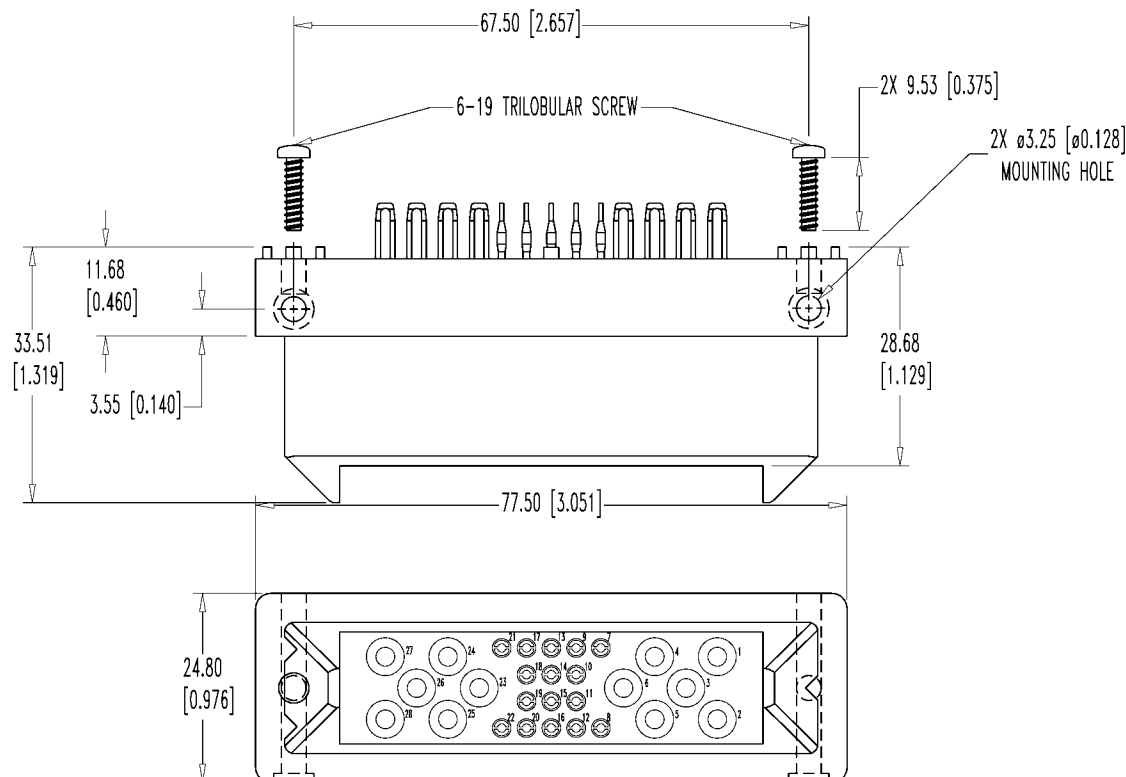


POSITRONIC INDUSTRIES BELIEVES THE DATA ON THIS DRAWING TO BE RELIABLE. SINCE THE TECHNICAL INFORMATION IS GIVEN FREE OF CHARGE, THE USER EMPLOYS SUCH INFORMATION AT HIS OWN DISCRETION AND RISK. POSITRONIC INDUSTRIES ASSUMES NO RESPONSIBILITY FOR RESULTS OBTAINED OR DAMAGES INCURRED FROM USE OF SUCH INFORMATION IN WHOLE OR IN PART.

DATE	REV	REVISION RECORD	APP	DR	CK
7-18-01	NC	ECO 18052	RCW	ME	TK
8-29-05	A	ECO 24537		TH	



NOTES:

1. MATERIAL AND FINISHES:

INSULATOR: GLASS FILLED POLYESTER, UL 94V-0 BLUE COLOR.

CONTACTS: PRECISION MACHINED COPPER ALLOY WITH GOLD FLASH OVER NICKEL.

MOUNTING SCREWS: STEEL, ZINC PLATED.

2. ELECTRICAL CHARACTERISTICS:

INITIAL CONTACT RESISTANCE: SIZE 12: 0.005 OHMS, MAXIMUM

SIZE 20: 0.007 OHMS, MAXIMUM

PER IEC 512-2. TEST 2b.

INSULATOR RESISTANCE: 5 G OHMS PER IEC 512-2, TEST 3a.

3. MECHANICAL CHARACTERISTICS:

POLARIZATION: PROVIDED BY CONNECTOR BODY DESIGN.

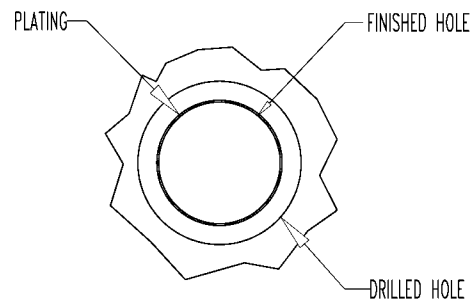
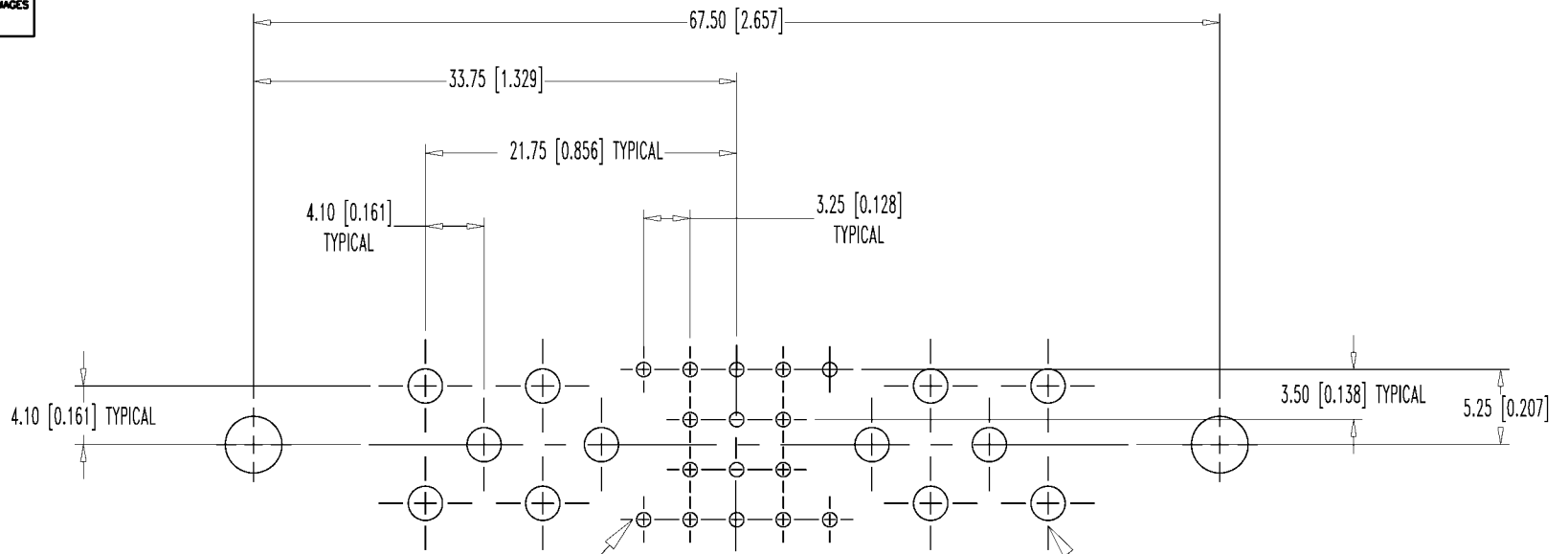
FIXED CONTACTS: COMPLIANT.

4. WORKING TEMPERATURE: -55°C TO +125°C.

5. DIMENSIONS ARE IN MILLIMETERS [INCHES].

		POSITRONIC INDUSTRIES INC.		www.connectpositronic.com	
		MINI-INFINITY SERIES	SCALE	DRAWN BY	M. ENEA
DECIMAL TOL.		12 SIZE 12, 16 SIZE 20 CONTACTS	N.T.S.	APPROVED BY	RCW
± 0.38 [0.015]		TITLE			
		MIP28W12F9300A1			
ANGULAR TOL.	DATE	DRAWING NUMBER		REV.	
\pm N/A	7-18-01	SK3845		1 OF 2	A

POSTROMIC INDUSTRIES BELIEVES THE DATA ON THIS DRAWING TO BE RELIABLE. SINCE THE TECHNICAL INFORMATION IS GIVEN FREE OF CHARGE, THE USER EMPLOYS SUCH INFORMATION AT HIS OWN DISCRETION AND RISK. POSTROMIC INDUSTRIES ASSUMES NO RESPONSIBILITY FOR RESULTS OBTAINED OR DAMAGES INCURRED FROM USE OF SUCH INFORMATION IN WHOLE OR IN PART.



PRESS FIT CONTACT HOLE SEE SK6370
DETAIL A