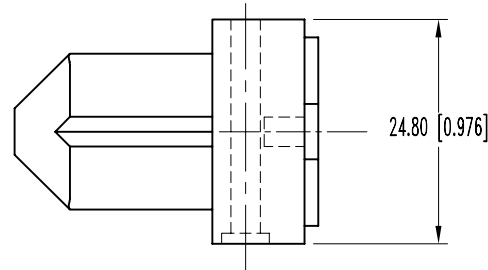
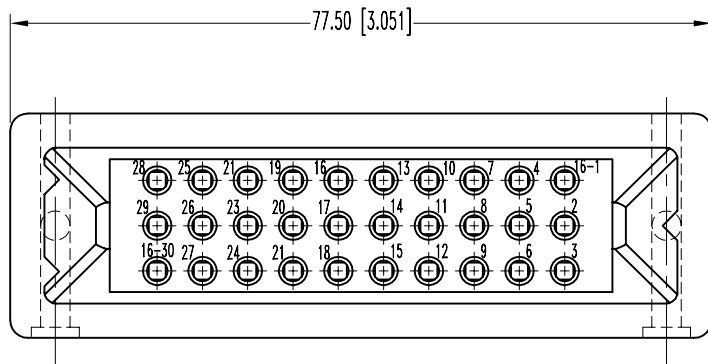
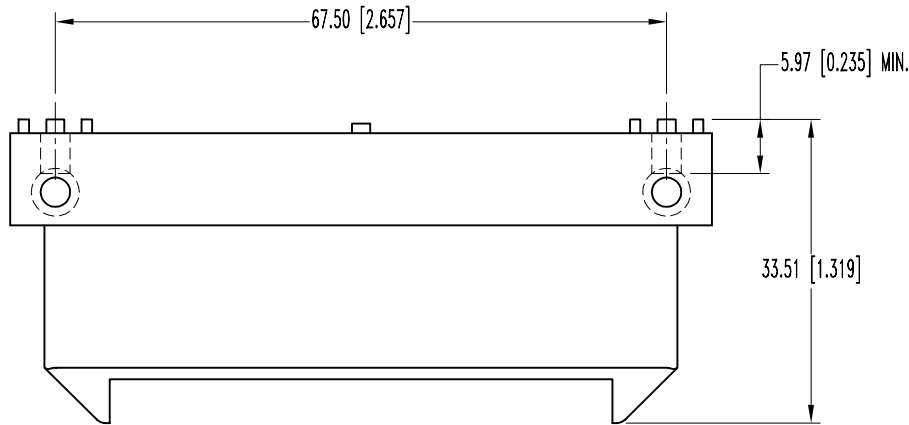


SK3012

POSITRONIC INDUSTRIES BELIEVES THE DATA ON THIS DRAWING TO BE RELIABLE. SINCE THE TECHNICAL INFORMATION IS GIVEN FREE OF CHARGE, THE USER EMPLOYS SUCH INFORMATION AT HIS OWN DISCRETION AND RISK. POSITRONIC INDUSTRIES ASSUMES NO RESPONSIBILITY FOR RESULTS OBTAINED OR DAMAGES INCURRED FROM USE OF SUCH INFORMATION IN WHOLE OR IN PART.

DATE	REV	REVISION RECORD	APP	DR	CK
6-29-98	NC	ECO 13272	RCW	JLG	MZ
3-13-00	A	ECO 16123		JLG	



NOTES:

- MATERIALS AND FINISHES:  
INSULATOR: GLASS-FILLED POLYESTER, UL 94V-0, BLUE COLOR.
- ELECTRICAL CHARACTERISTICS:  
CONTACT CURRENT RATING: 20 AMPERES, CONTINUOUS.  
INITIAL CONTACT RESISTANCE: 0.005 OHMS, MAXIMUM PER IEC 512-2, TEST 2b.  
INSULATOR RESISTANCE: 5 G OHMS PER IEC 512-2, TEST 3a.  
VOLTAGE PROOF: 2000 V rms PER IEC 512-2, TEST 4a, METHOD C.  
CREEPAGE DISTANCE: 4mm[0.157 INCH].  
CLEARANCE DISTANCE: 3.2mm[0.125 INCH].  
WORKING VOLTAGE: DESIGNED TO MEET UL600 VAC AND CSA 600 VAC.
- MECHANICAL CHARACTERISTICS:  
BLIND MATING SYSTEM: MALE AND FEMALE CONNECTOR BODIES PROVIDE "LEAD-IN" FOR 7.6mm[0.30 INCH] DIAMETRAL MISALIGNMENT.  
POLARIZATION: PROVIDED BY CONNECTOR BODY DESIGN.
- WORKING TEMPERATURE: -55°C TO +125°C.
- CONTACTS ORDERED SEPARATELY:  
CONTACTS: PRECISION MACHINED COPPER ALLOY WITH GOLD OVER NICKEL.  
INSERT CONTACT IN REAR OF INSULATOR, RELEASE FROM FRONT OF INSULATOR, CONTACT SIZE IS 16.
- DIMENSIONS ARE IN MILLIMETERS [INCHES].

 <b>POSITRONIC INDUSTRIES INC.</b> www.connectpositronic.com		
 INFINITY SERIES, CRIMP REMOVABLE 30 SIZE 16 CONTACTS	SCALE N.T.S.	DRAWN BY <b>J. GREEN</b>
DECIMAL TOL. $\pm 0.38$ [0.015]	APPROVED BY <b>RCW</b>	
TITLE <b>MIP30F0000</b>		
WF # 23234	DATE <b>6-29-98</b>	DRAWING NUMBER <b>SK3012</b>
ANGULAR TOL. $\pm$ N/A	REV. <b>A</b>	