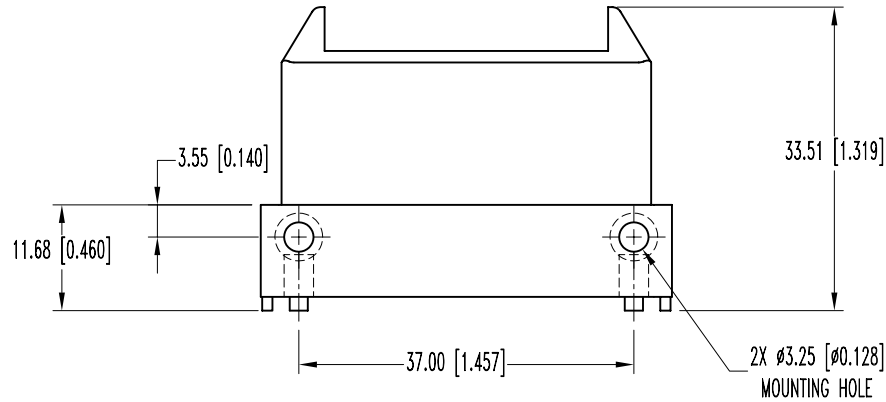
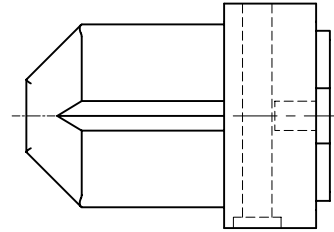
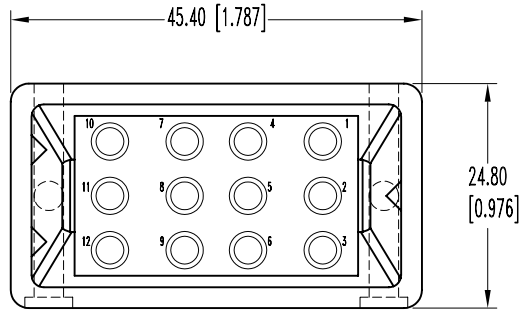


SK7175

POSITRONIC INDUSTRIES BELIEVES THE DATA ON THIS DRAWING TO BE RELIABLE. SINCE THE TECHNICAL INFORMATION IS GIVEN FREE OF CHARGE, THE USER EMPLOYS SUCH INFORMATION AT HIS OWN DISCRETION AND RISK. POSITRONIC INDUSTRIES ASSUMES NO RESPONSIBILITY FOR RESULTS OBTAINED OR DAMAGES INCURRED FROM USE OF SUCH INFORMATION IN WHOLE OR IN PART.

DATE	REV	REVISION RECORD	APP	DR	CK
3-17-06	NC	ECO 25661		YK	



NOTES:

- MATERIAL AND FINISHES:**  
INSULATOR: GLASS FILLED POLYESTER, UL 94V-0 BLUE COLOR.
- ELECTRICAL CHARACTERISTICS:**  
INSULATOR RESISTANCE: 5 G OHMS PER IEC 512-2, TEST 3a.
- MECHANICAL CHARACTERISTICS:**  
BLIND MATING SYSTEM: MALE AND FEMALE CONNECTOR BODIES PROVIDE "LEAD-IN" FOR 4.19 mm [0.165 in.] DIAMETRAL MISALIGNMENT.  
POLARIZATION: PROVIDED BY CONNECTOR BODY DESIGN.
- WORKING TEMPERATURE:** -55°C TO +125°C.
- CONNECTORS ARE ROHS COMPLIANT PER ROHS DIRECTIVE 2002/95/EC OF 27 JAN 2003.**
- DIMENSIONS ARE IN MILLIMETERS [INCHES].**

 <b>POSITRONIC INDUSTRIES INC.</b> www.connectpositronic.com		SCALE	DRAWN BY
		N.T.S.	YK
DECIMAL TOL.	MMIP SERIES	APPROVED BY	
± 0.38 [0.015]	TITLE	MMIP12W12F0000/AA	
ANGULAR TOL.	DATE	DRAWING NUMBER	REV.
± 5°	3-17-06	SK7175	NC