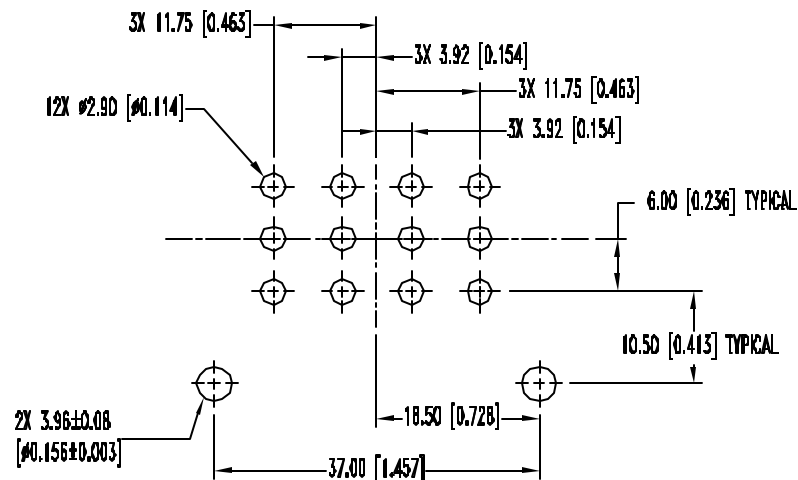
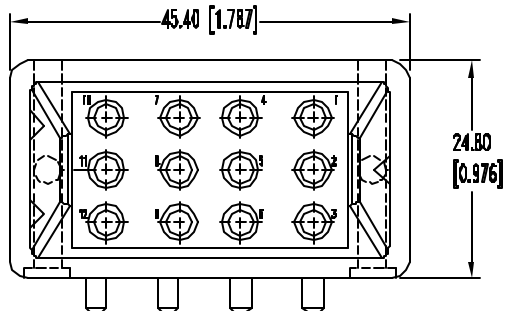
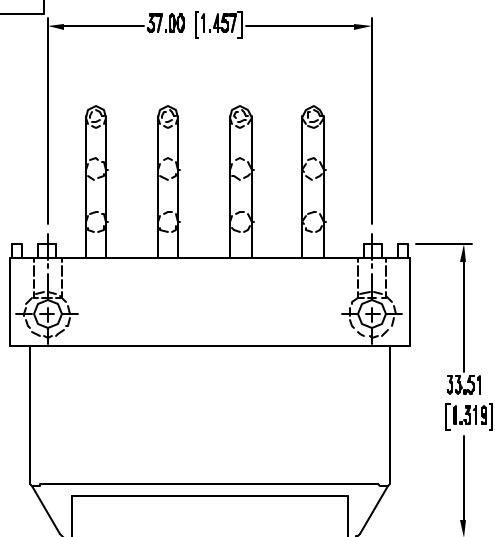


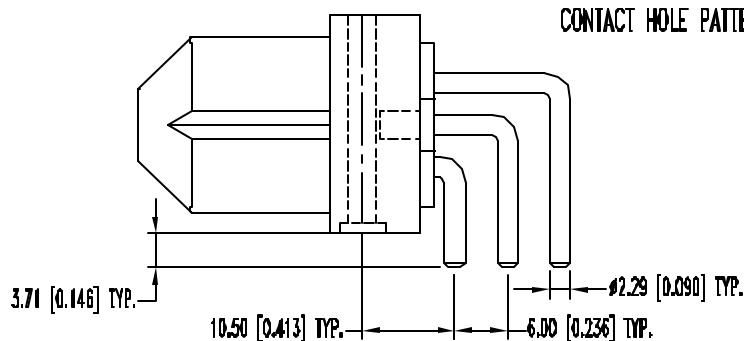
POSITRONIC INDUSTRIES BELIEVES THE DATA ON THIS DRAWING TO BE RELIABLE, SINCE THE TECHNICAL INFORMATION IS GIVEN FREE OF CHARGE, THE USER EMPLOYEES SUCH INFORMATION AT HIS OWN DISCRETION AND RISK. POSITRONIC INDUSTRIES ASSUMES NO RESPONSIBILITY FOR RESULTS OBTAINED OR DAMAGES INCURRED FROM USE OF SUCH INFORMATION IN WHOLE OR IN PART.

SK4008

DATE	REV	REVISION RECORD	APP	DR	CK
11-1-01	NC	ECO 18559		ME	



CONTACT HOLE PATTERN



NOTES:

1. MATERIAL AND FINISHES:

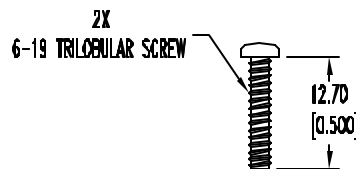
- INSULATOR: GLASS FILLED POLYESTER, UL 94V-0 BLUE COLOR.
- CONTACTS: COPPER ALLOY WITH GOLD FLASH OVER NICKEL.
- MOUNTING SCREWS: STEEL, ZINC PLATED.

2. ELECTRICAL CHARACTERISTICS:

- CONTACT CURRENT RATING: 40 AMPERES, CONTINUOUS
- INITIAL CONTACT RESISTANCE: 0.005 OHMS, MAXIMUM
- INSULATOR RESISTANCE: 5 G OHMS PER IEC 512-2, TEST 3a.

3. WORKING TEMPERATURE: -55°C TO +125°C.

4. DIMENSIONS ARE IN MILLIMETERS [INCHES].



		POSITRONIC INDUSTRIES INC.		www.connectpositronic.com	
MINI-MINI INFINITY SERIES		SCALE	DRAWN BY		M. ENBA
12 SIZE 12		N.T.S.	APPROVED BY		
TITLE					
MMIP12W12F400A1					
DATE		DRAWING NUMBER		REV.	
11-1-01		SK4008		NC	

DECIMAL TOL.	±0.30 [0.015]
WF #	4123
ANGULAR TOL.	±5°