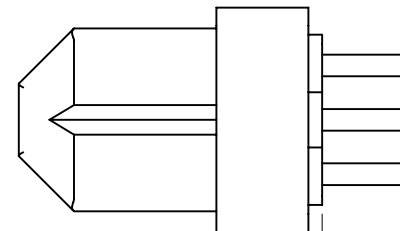
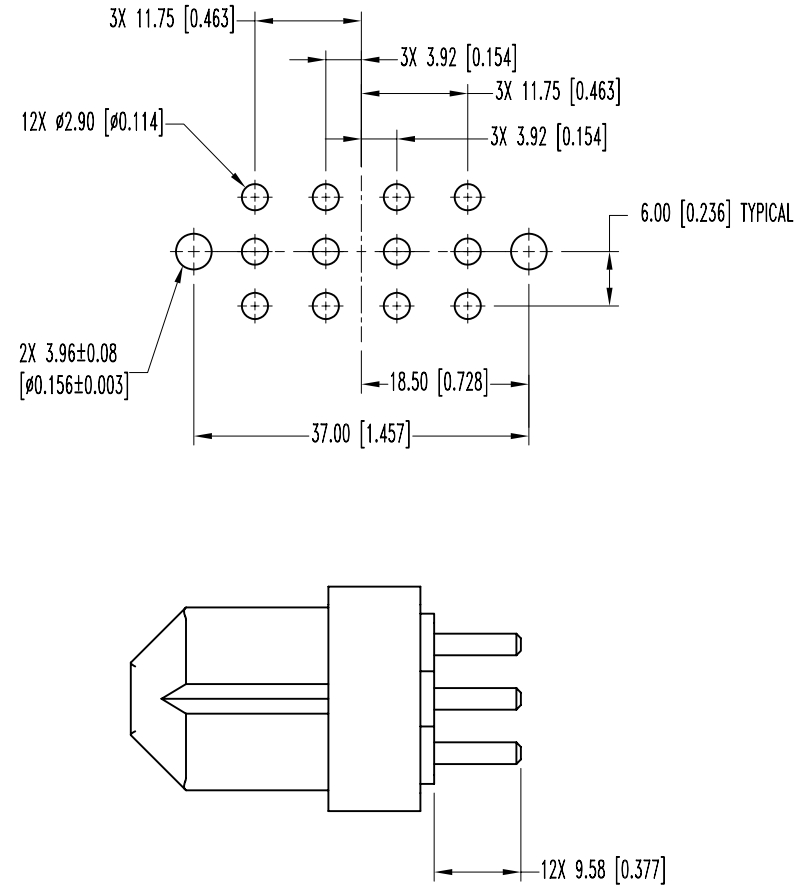
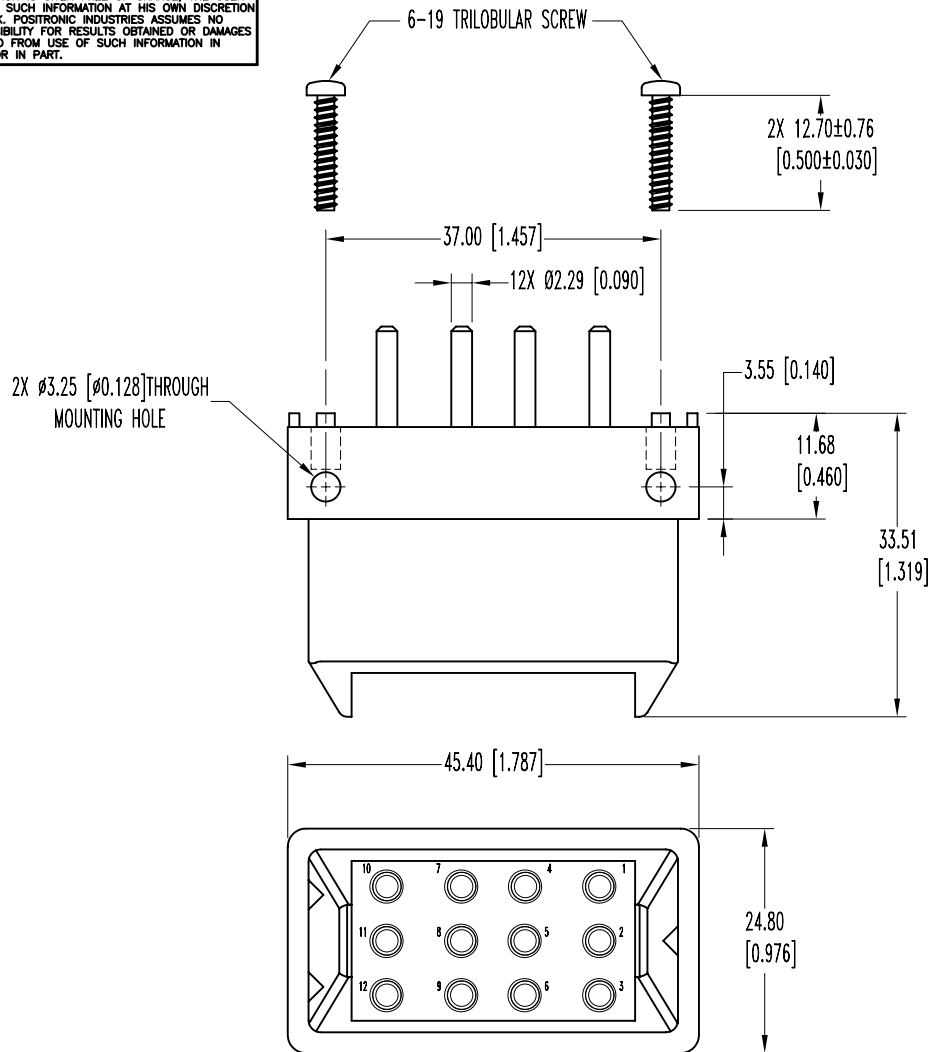


SK5888

POSITRONIC INDUSTRIES BELIEVES THE DATA ON THIS DRAWING TO BE RELIABLE. SINCE THE TECHNICAL INFORMATION IS GIVEN FREE OF CHARGE, THE USER EMPLOYS SUCH INFORMATION AT HIS OWN DISCRETION AND RISK. POSITRONIC INDUSTRIES ASSUMES NO RESPONSIBILITY FOR RESULTS OBTAINED OR DAMAGES INCURRED FROM USE OF SUCH INFORMATION IN WHOLE OR IN PART.

DATE	REV	REVISION RECORD	APP	DR	CK
12-28-04	NC	ECO 23461		YK	



NOTES:

- MATERIAL AND FINISHES:**
 INSULATOR: GLASS FILLED POLYESTER, UL 94V-0 BLUE COLOR.
 CONTACTS: PRECISION MACHINED COPPER ALLOY WITH GOLD FLASH OVER NICKEL.
 MOUNTING SCREWS: STEEL, ZINC PLATE.
- ELECTRICAL CHARACTERISTICS:**
 INSULATOR RESISTANCE: 5 G OHMS PER IEC 512-2, TEST 3a.
 CONTACT CURRENT RATING: 40 AMPERES, CONTINUOUS.
 INITIAL CONTACT RESISTANCE: 0.005 OHMS.
- MECHANICAL CHARACTERISTICS:**
 BLIND MATING SYSTEM: MALE AND FEMALE CONNECTOR BODIES PROVIDE "LEAD-IN" FOR 4.19 mm [0.165 in.] DIAMETRAL MISALIGNMENT.
 POLARIZATION: PROVIDED BY CONNECTOR BODY DESIGN.
- WORKING TEMPERATURE:** -55°C TO +125°C.
- DIMENSIONS ARE IN MILLIMETERS [INCHES].**

 POSITRONIC INDUSTRIES INC. www.connectpositronic.com		SCALE	DRAWN BY
		N.T.S.	YK
DECIMAL TOL. ± 0.38 [0.015]		TITLE MMIP12W12F3200A1	
DATE 12-28-04		DRAWING NUMBER SK5888	
ANGULAR TOL. ± 5°		REV. NC	