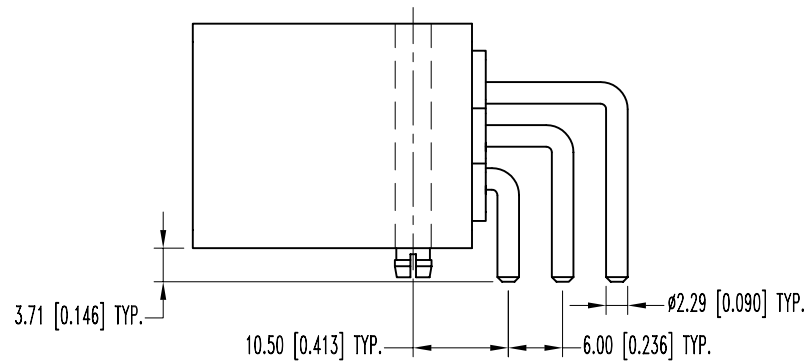
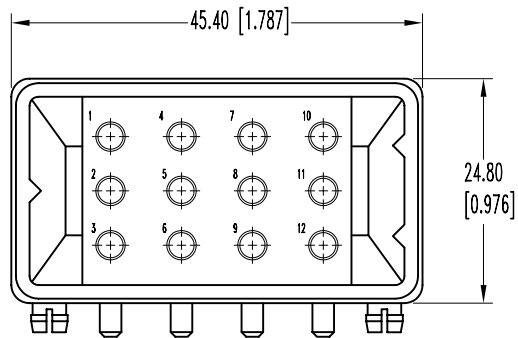
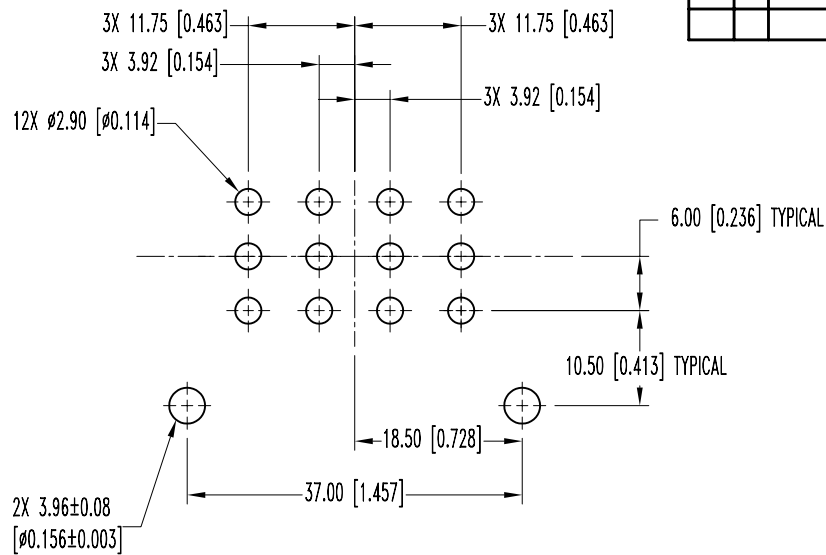
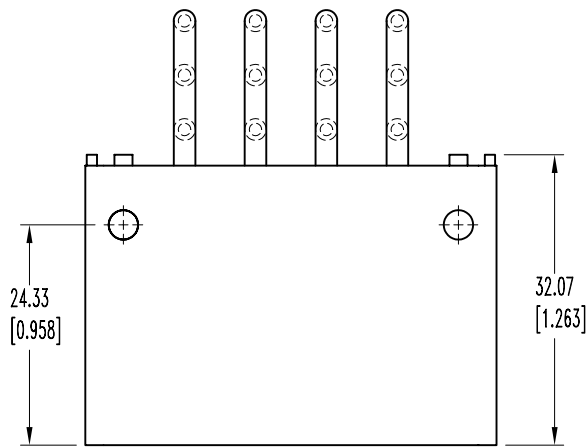


SK7152

POSITRONIC INDUSTRIES BELIEVES THE DATA ON THIS DRAWING TO BE RELIABLE, SINCE THE TECHNICAL INFORMATION IS GIVEN FREE OF CHARGE, THE USER EMPLOYS SUCH INFORMATION AT HIS OWN DISCRETION AND RISK. POSITRONIC INDUSTRIES ASSUMES NO RESPONSIBILITY FOR RESULTS OBTAINED OR DAMAGES INCURRED FROM USE OF SUCH INFORMATION IN WHOLE OR IN PART.

DATE	REV	REVISION RECORD	APP	DR	CK
3-17-06	NC	ECO 25655		ME	



NOTES:

1. MATERIAL AND FINISHES:

INSULATOR: GLASS FILLED POLYESTER, UL 94V-0 BLUE COLOR.

CONTACTS: PRECISION MACHINED COPPER ALLOY WITH GOLD FLASH OVER NICKEL.

PUSH-ON FASTENERS: SPRING-TEMPER COPPER ALLOY, TIN PLATED.

2. ELECTRICAL CHARACTERISTICS:

CONTACT CURRENT RATING: 40 AMPERES, CONTINUOUS


INITIAL CONTACT RESISTANCE: 0.005 OHMS, MAXIMUM

INSULATOR RESISTANCE: 5 G OHMS PER IEC 512-2, TEST 3a.

3. WORKING TEMPERATURE: -55°C TO +125°C.

4. CONNECTORS ARE ROHS COMPLIANT PER ROHS DIRECTIVE 2002/95/EC OF 27 JAN. 2003.

5. DIMENSIONS ARE IN MILLIMETERS [INCHES].

 <b>POSITRONIC INDUSTRIES INC.</b> www.connectpositronic.com		<b>MINI-MINI INFINITY SERIES</b> SCALE 12 SIZE 12 N.T.S.		DRAWN BY <b>M. ENEA</b>
DECIMAL TOL. ±0.38 [0.015]	TITLE <b>MMIP12W12M4N0A1/AA</b>			APPROVED BY
ANGULAR TOL. ±5°	DATE <b>3-17-06</b>	DRAWING NUMBER <b>SK7152</b>	REV. <b>NC</b>	