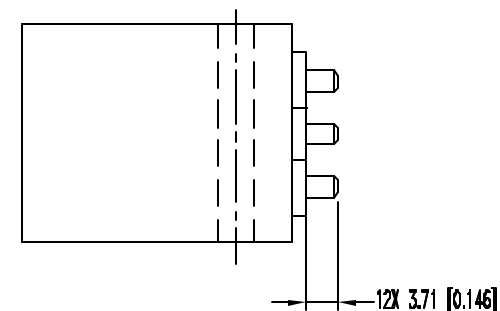
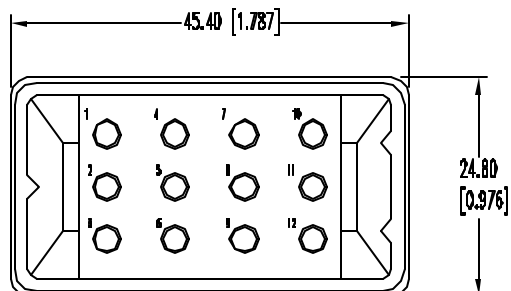
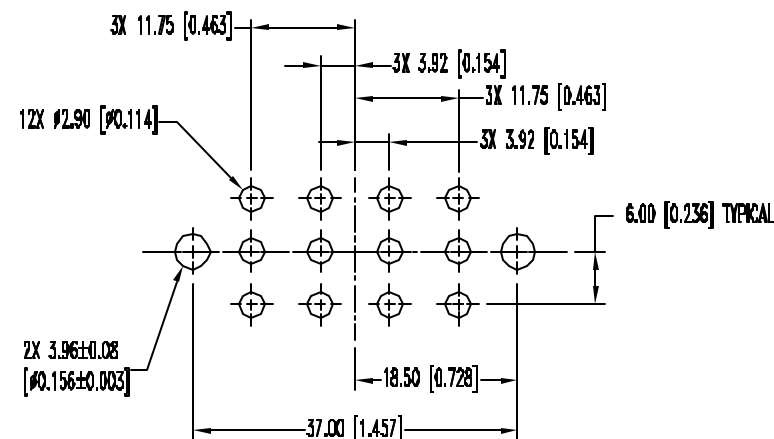
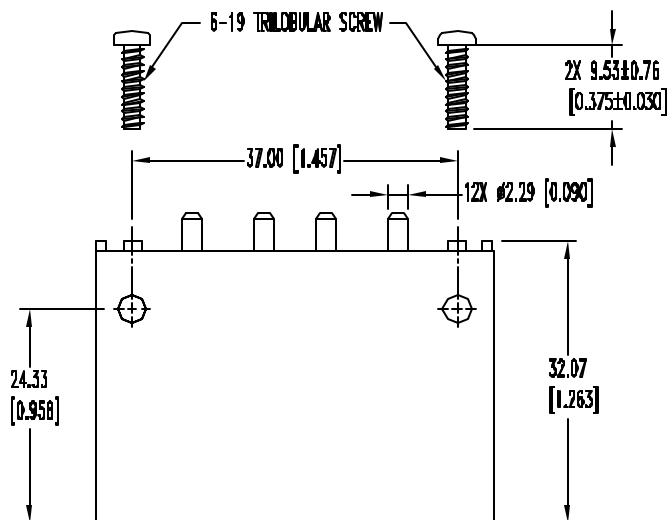


POSITRONIC INDUSTRIES BELIEVES THE DATA ON THIS DRAWING TO BE RELIABLE, SINCE THE TECHNICAL INFORMATION IS GIVEN FREE OF CHARGE, THE USER EMPLOYEES SUCH INFORMATION AT HIS OWN DISCRETION AND RISK. POSITRONIC INDUSTRIES ASSUMES NO RESPONSIBILITY FOR RESULTS OBTAINED OR DAMAGES INCURRED FROM USE OF SUCH INFORMATION IN WHOLE OR IN PART.

SK4005

DATE	REV	REVISION RECORD	APP	DR	CK
11-1	NC	ECO 18559		ME	



NOTES:

1. MATERIAL AND FINISHES:

INSULATOR: GLASS FILLED POLYESTER, UL 94V-0 BLUE COLOR.

CONTACTS: PRECISION-MACHINED COPPER ALLOY WITH GOLD FLASH OVER NICKEL.

MOUNTING SCREWS: STEEL, ZINC PLATED.

2. ELECTRICAL CHARACTERISTICS:

INSULATOR RESISTANCE: 5 G OHMS PER IEC 512-2, TEST 3a.

CONTACT CURRENT RATING: 40 AMPERES, CONTINUOUS.

INITIAL CONTACT RESISTANCE: 0.005 OHMS, MAXIMUM.

3. MECHANICAL CHARACTERISTICS:

BLIND MATING SYSTEM: MALE AND FEMALE CONNECTOR BODIES PROVIDE

"LEAD-IN" FOR 4.19 mm [0.165 in.] DIAMETRAL MISALIGNMENT.

POLARIZATION PROVIDED BY CONNECTOR BODY DESIGN.

4. WORKING TEMPERATURE: -55°C TO +125°C.

5. DIMENSIONS ARE IN MILLIMETERS [INCHES].



POSITRONIC INDUSTRIES INC.
www.connectpositronic.com



DECIMAL TOL.
±0.30 [0.015]

MINI-MINI INFINITY
12 SIZE 12

SCALE
N.T.S.

DRAWN BY
M. ENBA

APPROVED BY

TITLE

MMIP12W12M300A1

WF # 4120

DATE

11-1-01

DRAWING NUMBER

SK4005

REV.

NC