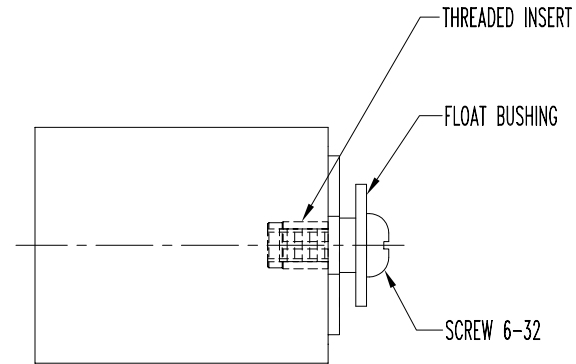
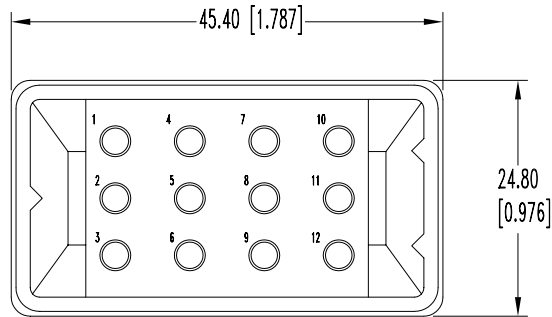
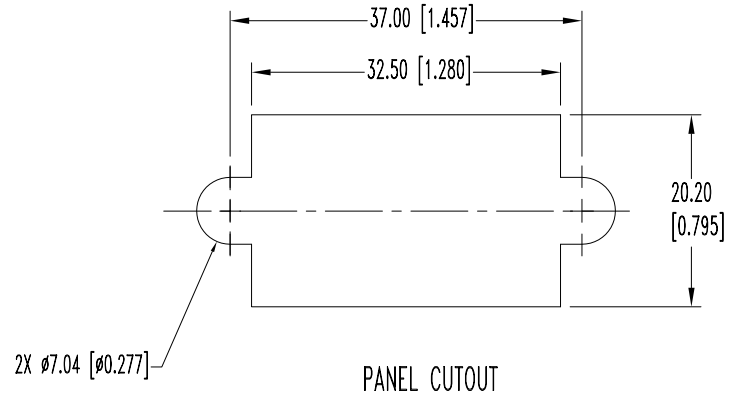
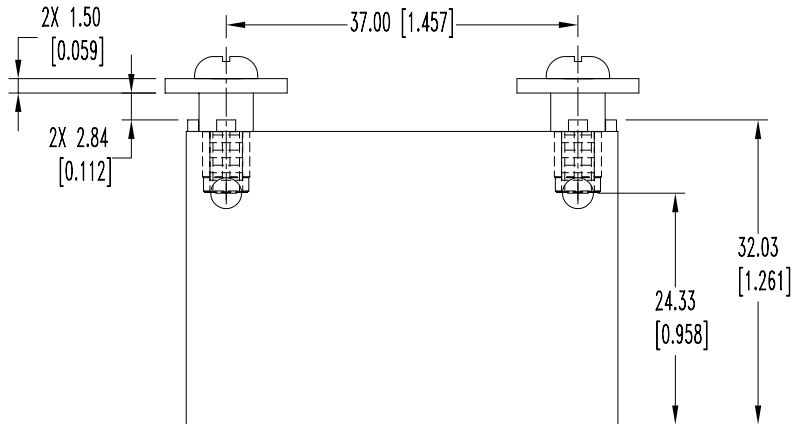


SK8857

POSITRONIC INDUSTRIES BELIEVES THE DATA ON THIS DRAWING TO BE RELIABLE. SINCE THE TECHNICAL INFORMATION IS GIVEN FREE OF CHARGE, THE USER EMPLOYS SUCH INFORMATION AT HIS OWN DISCRETION AND RISK. POSITRONIC INDUSTRIES ASSUMES NO RESPONSIBILITY FOR RESULTS OBTAINED OR DAMAGES INCURRED FROM USE OF SUCH INFORMATION IN WHOLE OR IN PART.

DATE	REV	REVISION RECORD	APP	DR	CK
8-17-07	NC	ECO 28333		MM	



NOTES:

- MATERIAL AND FINISHES:**
 INSULATOR: GLASS FILLED POLYESTER, UL 94V-0 BLUE COLOR.
 FLOAT BUSHINGS: STEEL, ZINC PLATE WITH CHROMATE SEAL.
 SCREWS: STEEL, ZINC PLATE WITH CHROMATE SEAL.
- ELECTRICAL CHARACTERISTICS:**
 INSULATOR RESISTANCE: 5 G OHMS PER IEC 512-2, TEST 3a.
- MECHANICAL CHARACTERISTICS:**
 POLARIZATION: PROVIDED BY CONNECTOR BODY DESIGN.
- WORKING TEMPERATURE:** -55°C TO +125°C.
- CONTACTS ORDERED SEPARATELY.
- PANEL MOUNT 2.28 [0.090] PANEL THICKNESS.
- DIMENSIONS ARE IN MILLIMETERS [INCHES].

	POSITRONIC INDUSTRIES INC. www.connectpositronic.com		FSCM 28198
	DECIMAL TOL. ± 0.38 [0.015]	MMIP SERIES	SCALE N.T.S.
ANGULAR TOL. ± 5°	TITLE MMIP12W12M00830		
	DATE 8-17-07	DRAWING NUMBER SK8857	REV. NC