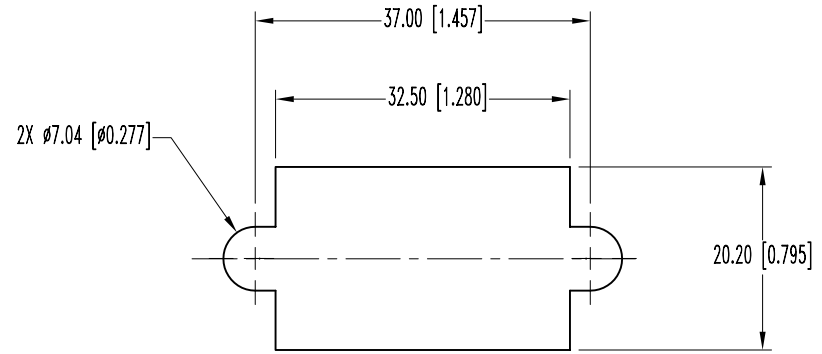
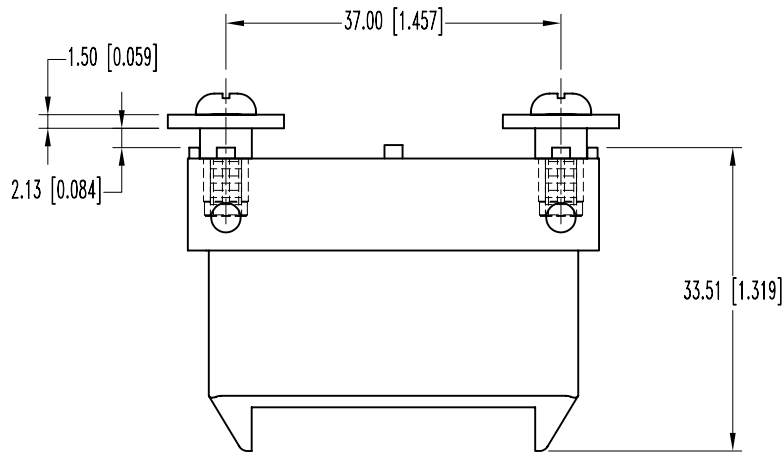


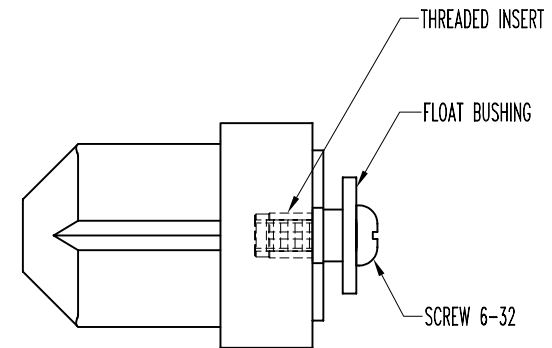
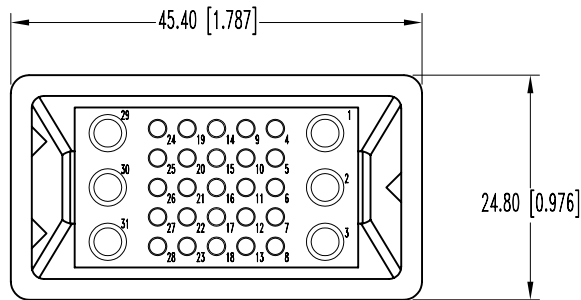
SK6303

POSITRONIC INDUSTRIES BELIEVES THE DATA ON THIS DRAWING TO BE RELIABLE. SINCE THE TECHNICAL INFORMATION IS GIVEN FREE OF CHARGE, THE USER EMPLOYS SUCH INFORMATION AT HIS OWN DISCRETION AND RISK. POSITRONIC INDUSTRIES ASSUMES NO RESPONSIBILITY FOR RESULTS OBTAINED OR DAMAGES INCURRED FROM USE OF SUCH INFORMATION IN WHOLE OR IN PART.

DATE	REV	REVISION RECORD	APP	DR	CK
7-7-05	NC	ECO 24314		YK	



PANEL CUTOUT



NOTES:

- MATERIAL AND FINISHES:
 INSULATOR: GLASS FILLED POLYESTER, UL 94V-0 BLUE COLOR.
 FLOAT BUSHINGS: STEEL WITH ZINC PLATE.
 SCREWS: STEEL WITH ZINC PLATE.
- ELECTRICAL CHARACTERISTICS:
 INSULATOR RESISTANCE: 5 G OHMS PER IEC 512-2, TEST 3a.
- WORKING TEMPERATURE: -55°C TO +125°C.
- CONNECTORS ARE ROHS COMPLIANT PER ROHS DIRECTIVE 2002/95/EC OF 27 JAN 2003.
- DIMENSIONS ARE IN MILLIMETERS [INCHES].

	POSITRONIC INDUSTRIES INC. www.connectpositronic.com		SCALE	DRAWN BY
	MMIP SERIES		N.T.S.	YK
DECIMAL TOL. ±0.38 [0.015]	TITLE MMIP31W6F00820/AA			
ANGULAR TOL. ±5°	DATE 7-7-05	DRAWING NUMBER SK6303	REV. NC	APPROVED BY