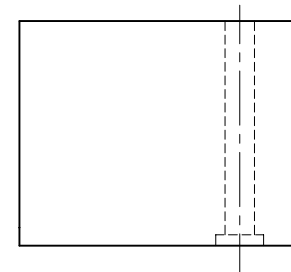
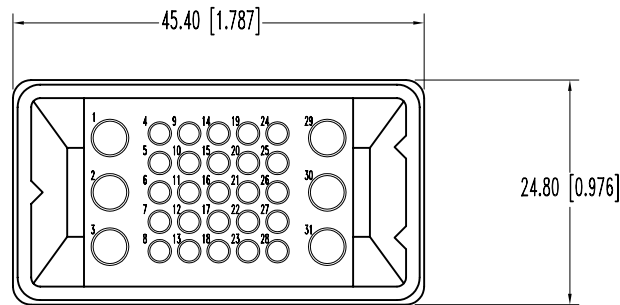
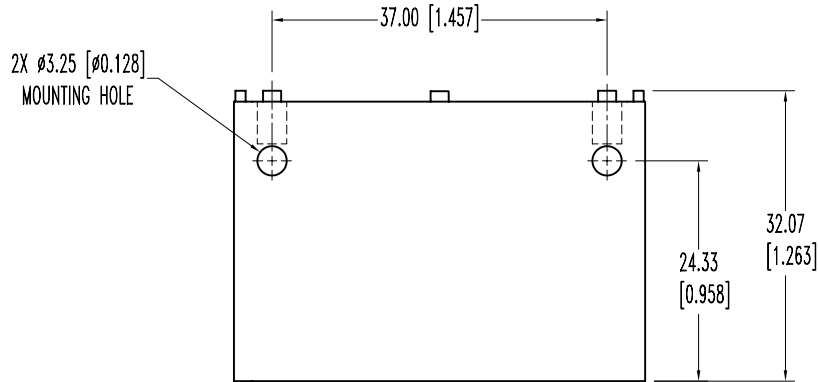


SK8158

POSITRONIC INDUSTRIES BELIEVES THE DATA ON THIS DRAWING TO BE RELIABLE, SINCE THE TECHNICAL INFORMATION IS GIVEN FREE OF CHARGE, THE USER EMPLOYS SUCH INFORMATION AT HIS OWN DISCRETION AND RISK. POSITRONIC INDUSTRIES ASSUMES NO RESPONSIBILITY FOR RESULTS OBTAINED OR DAMAGES INCURRED FROM USE OF SUCH INFORMATION IN WHOLE OR IN PART.

DATE	REV	REVISION RECORD	APP	DR	CK
11-22-06	NC	ECO 27075		YK	



NOTES:

- MATERIAL AND FINISHES:
INSULATOR: GLASS FILLED POLYESTER, UL 94V-0 BLUE COLOR.
- ELECTRICAL CHARACTERISTICS:
INSULATOR RESISTANCE: 5 G OHMS PER IEC 512-2, TEST 3a.
- MECHANICAL CHARACTERISTICS:
POLARIZATION: PROVIDED BY CONNECTOR BODY DESIGN.
- WORKING TEMPERATURE: -55°C TO +125°C.
- CONNECTORS ARE ROHS COMPLIANT PER ROHS DIRECTIVE 2002/95/EC OF 27 JAN. 2003.
- DIMENSIONS ARE IN MILLIMETERS [INCHES].

	POSITRONIC INDUSTRIES INC. www.connectpositronic.com		SCALE	DRAWN BY
	MMIP SERIES		N.T.S.	YK
DECIMAL TOL. ± 0.38 [0.015]	TITLE MMIP31W6M0000/AA		APPROVED BY	
ANGULAR TOL. $\pm 5^\circ$	DATE 11-22-06	DRAWING NUMBER SK8158	REV. NC	