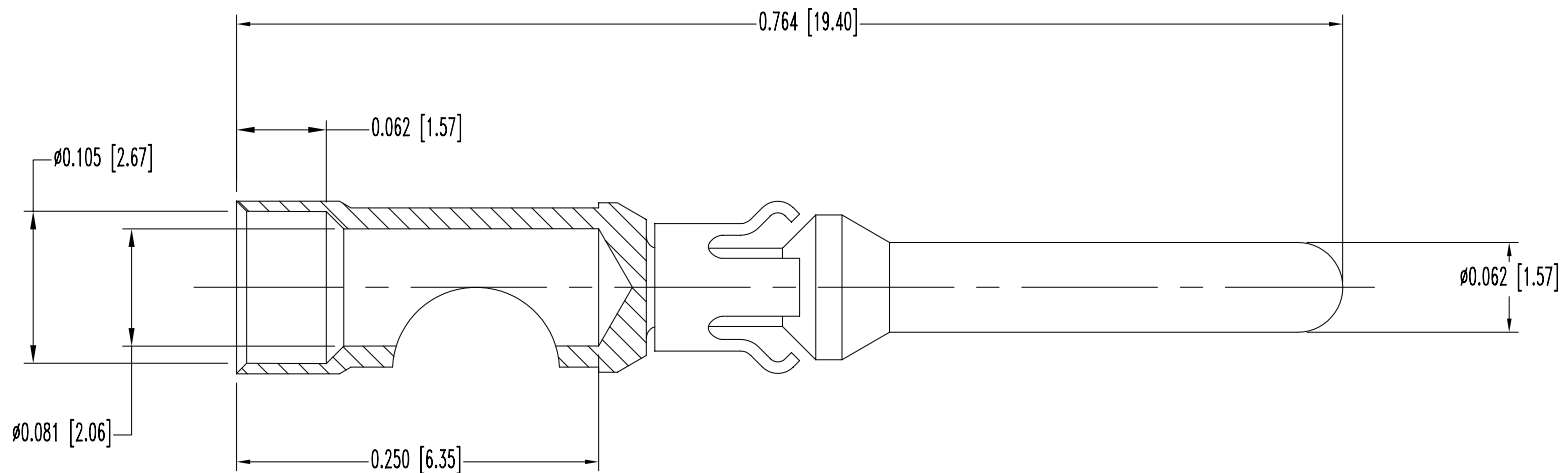


SK8388

POSITRONIC INDUSTRIES BELIEVES THE DATA ON THIS DRAWING TO BE RELIABLE, SINCE THE TECHNICAL INFORMATION IS GIVEN FREE OF CHARGE, THE USER EMPLOYS SUCH INFORMATION AT HIS OWN DISCRETION AND RISK. POSITRONIC INDUSTRIES ASSUMES NO RESPONSIBILITY FOR RESULTS OBTAINED OR DAMAGES INCURRED FROM USE OF SUCH INFORMATION IN WHOLE OR IN PART.

DATE	REV	REVISION RECORD	APP	DR	CK
3-7-07	NC	ECO 27582		YK	



NOTES:

- MATERIAL AND FINISHES:
 CONTACT: BRASS, GOLD FLASH OVER NICKEL FINISH.
 RETAINER: BERYLLIUM COPPER, GOLD FLASH OVER NICKEL FINISH.
- ELECTRICAL CHARACTERISTICS:
 INITIAL CONTACT RESISTANCE: 0.003 OHMS.
 CONTACT CURRENT RATING: 13 AMPS MAX.
 WORKING VOLTAGE: 500 V.AC (rms).
- WORKING TEMPERATURE: -65°C TO 150°C.
- CONTACTS ARE ROHS COMPLIANT PER ROHS DIRECTIVE 2002/95/EC OF 27 JAN 2003.
- DIMENSIONS ARE IN INCHES [MILLIMETERS].

 POSITRONIC INDUSTRIES INC. www.connectpositronic.com		SCALE		DRAWN BY	
DECIMAL TOL. ± 0.015 [0.38]		GMCT SERIES		N.T.S.	
ANGULAR TOL. ± 5°		DATE		REV.	
		3-7-07		NC	
TITLE		DRAWING NUMBER			
MS114N/AA		SK8388			
APPROVED BY				YK	