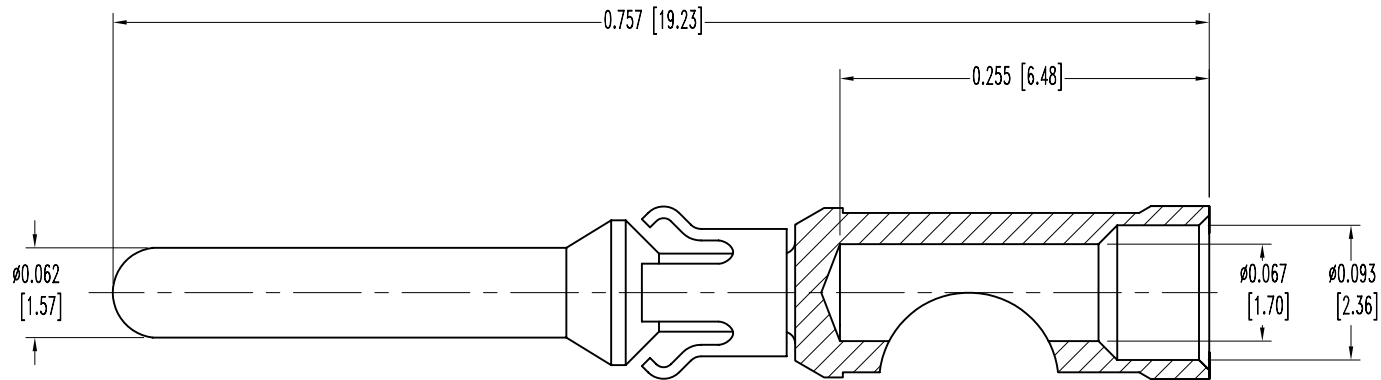


SK7296


POSITRONIC INDUSTRIES BELIEVES THE DATA ON THIS DRAWING TO BE RELIABLE. SINCE THE TECHNICAL INFORMATION IS GIVEN FREE OF CHARGE, THE USER EMPLOYS SUCH INFORMATION AT HIS OWN DISCRETION AND RISK. POSITRONIC INDUSTRIES ASSUMES NO RESPONSIBILITY FOR RESULTS OBTAINED OR DAMAGES INCURRED FROM USE OF SUCH INFORMATION IN WHOLE OR IN PART.

| DATE   | REV | REVISION RECORD | APP | DR | CK |
|--------|-----|-----------------|-----|----|----|
| 5-1-06 | NC  | ECO 25894       |     | YK |    |
|        |     |                 |     |    |    |
|        |     |                 |     |    |    |



NOTES:

- MATERIALS AND FINISHES:  
 CONTACT: COPPER ALLOY, GOLD FLASH OVER NICKEL.  
 RETAINER: BERYLLIUM COPPER, GOLD FLASH OVER NICKEL.
- ELECTRICAL CHARACTERISTICS:  
 CONTACT CURRENT RATING: 13 AMPS MAXIMUM.  
 INITIAL CONTACT RESISTANCE: 0.0016 OHMS MAXIMUM.
- WORKING TEMPERATURE: -55°C TO 125°C.
- CONTACTS ARE ROHS COMPLIANT PER ROHS DIRECTIVE 2002/95/EC OF 27 JAN 2003.
- DIMENSIONS ARE IN INCHES [MILLIMETERS].

|  |                 |                |          |
|--|-----------------|----------------|----------|
|  <b>POSITRONIC INDUSTRIES INC.</b><br>www.connectpositronic.com |                 | SCALE          | DRAWN BY |
|  |                 | N.T.S.         | YK       |
| DECIMAL TOL.   | GMCT/PCS SERIES | APPROVED BY    |          |
| ± 0.015 [0.38]   | TITLE           | MS116N/AA      |          |
| ANGULAR TOL.   | DATE            | DRAWING NUMBER | REV.     |
| ± 5°   | 5-1-06          | SK7296         | NC       |