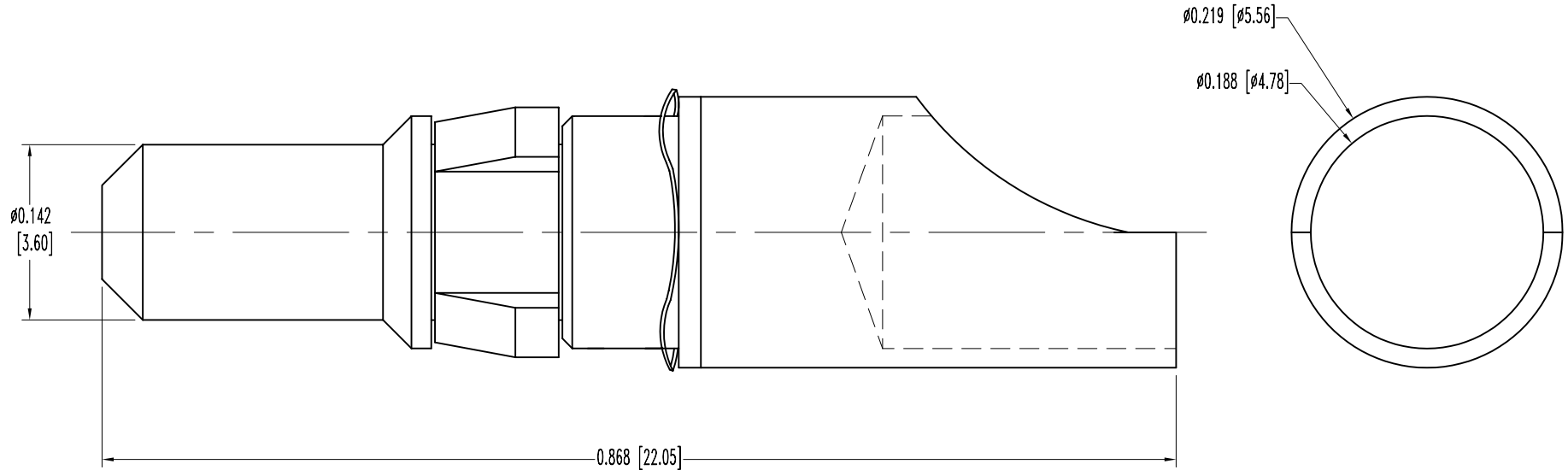


SK6820

POSITRONIC INDUSTRIES BELIEVES THE DATA ON THIS DRAWING TO BE RELIABLE. SINCE THE TECHNICAL INFORMATION IS GIVEN FREE OF CHARGE, THE USER EMPLOYS SUCH INFORMATION AT HIS OWN DISCRETION AND RISK. POSITRONIC INDUSTRIES ASSUMES NO RESPONSIBILITY FOR RESULTS OBTAINED OR DAMAGES INCURRED FROM USE OF SUCH INFORMATION IN WHOLE OR IN PART.

DATE	REV	REVISION RECORD	APP	DR	CK
12-15-05	NC	ECO 25192		ME	



NOTES:

- MATERIAL AND FINISH:  
 CONTACT: HIGH CONDUCTIVITY COPPER ALLOY, GOLD FLASH OVER NICKEL.  
 SPRING WASHER: BERYLLIUM COPPER, GOLD FLASH OVER NICKEL PLATE.  
 RETENTION RING: BERYLLIUM COPPER, NICKEL PLATE.
- ELECTRICAL CHARACTERISTICS:  
 CONTACT CURRENT RATING: 40 AMPERES NOMINAL.  
 INITIAL CONTACT RESISTANCE: 0.005 OHMS MAXIMUM.
- CONTACTS ARE ROHS COMPLIANT PER ROHS DIRECTIVE 2002/95/EC OF 27 JAN 2003.
- DIMENSIONS ARE IN INCHES [MILLIMETERS].

 <b>POSITRONIC INDUSTRIES INC.</b> www.connectpositronic.com		SCALE		DRAWN BY	
DECIMAL TOL. ± 0.015 [0.38]		N.T.S.		M. ENEA	
TITLE CBD SERIES		APPROVED BY			
		MS4008D/AA			
ANGULAR TOL. ± 5°		DATE		REV.	
		12-15-05		SK6820	
		DRAWING NUMBER		NC	