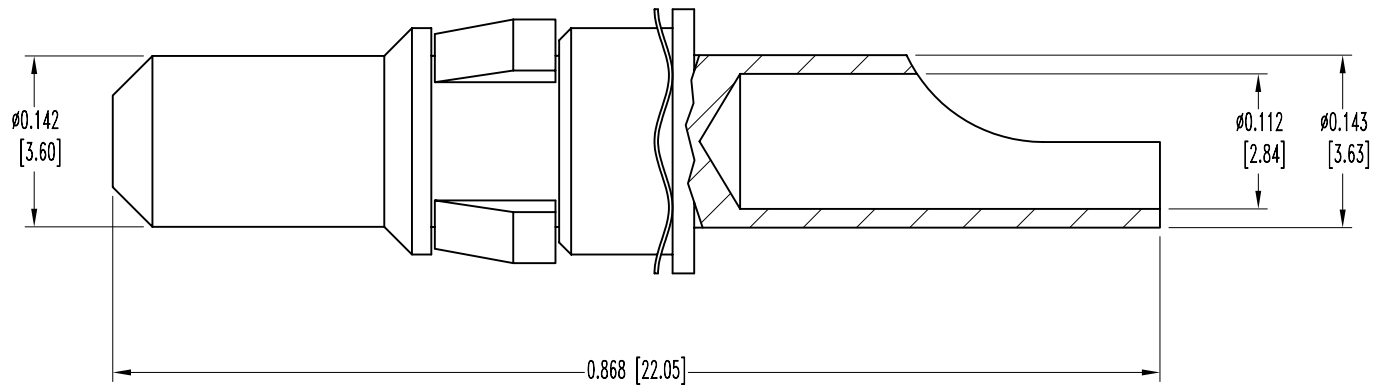


SK6961

POSITRONIC INDUSTRIES BELIEVES THE DATA ON THIS DRAWING TO BE RELIABLE. SINCE THE TECHNICAL INFORMATION IS GIVEN FREE OF CHARGE, THE USER EMPLOYS SUCH INFORMATION AT HIS OWN DISCRETION AND RISK. POSITRONIC INDUSTRIES ASSUMES NO RESPONSIBILITY FOR RESULTS OBTAINED OR DAMAGES INCURRED FROM USE OF SUCH INFORMATION IN WHOLE OR IN PART.

DATE	REV	REVISION RECORD	APP	DR	CK
1-17-06	NC	ECO 25356		YK	




NOTES:

CONTACT: HIGH CONDUCTIVITY COPPER ALLOY, GOLD FLASH
 SPRING WASHER: BERYLLIUM COPPER, GOLD FLASH OVER NICKEL PLATE.
 RETENTION RING: BERYLLIUM COPPER, NICKEL PLATE.

2. ELECTRICAL CHARACTERISTICS:

3. CONTACTS ARE ROHS COMPLIANT PER ROHS DIRECTIVE 2002/95/EC OF 27 JAN 2003.
 IN INCHES [MILLIMETERS].

 POSITRONIC INDUSTRIES INC. www.connectpositronic.com		SCALE	DRAWN BY
		N.T.S.	YK
DECIMAL TOL.	CBD SERIES	APPROVED BY	
± 0.015 [0.38]			
ANGULAR TOL.	TITLE		REV.
± 5°	MS4012D/AA		NC
	DATE	DRAWING NUMBER	
	1-17-06	SK6961	