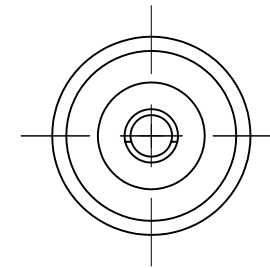
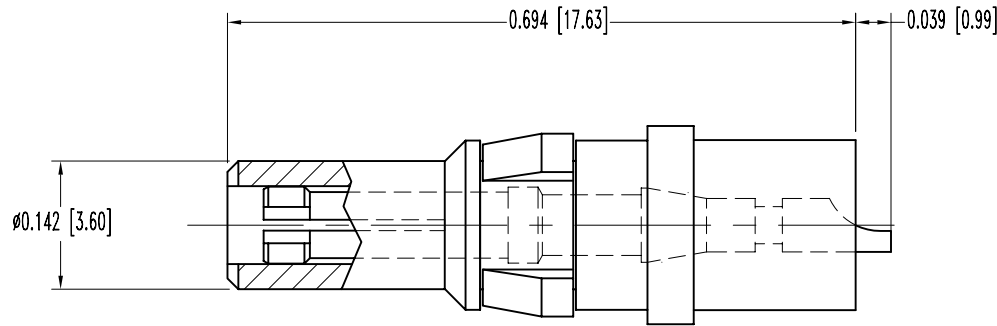


SK7771



POSITRONIC INDUSTRIES BELIEVES THE DATA ON THIS DRAWING TO BE RELIABLE. SINCE THE TECHNICAL INFORMATION IS GIVEN FREE OF CHARGE, THE USER EMPLOYS SUCH INFORMATION AT HIS OWN DISCRETION AND RISK. POSITRONIC INDUSTRIES ASSUMES NO RESPONSIBILITY FOR RESULTS OBTAINED OR DAMAGES INCURRED FROM USE OF SUCH INFORMATION IN WHOLE OR IN PART.

DATE	REV	REVISION RECORD	APP	DR	CK
7-18-06	NC	ECO 26370		YK	



NOTES:

- MATERIAL AND FINISHES:
 CONTACT: PHOSPHOR BRONZE, 0.000030 [0.76µ] GOLD OVER NICKEL PLATE.
 INSULATOR: TEFLON, PTFE.
 RETENTION RING: BERYLLIUM COPPER, NICKEL PLATE.
- ELECTRICAL CHARACTERISTICS:
 FLASH OVER VOLTAGE: 3600 Vr.m.s.
 PROOF VOLTAGE: 2700 Vr.m.s.
 INITIAL CONTACT RESISTANCE: 0.008 OHMS MAX.
- TEMPERATURE RANGE: -55°C TO +125°C.
- CONTACTS ARE ROHS COMPLIANT PER ROHS DIRECTIVE 2002/95/EC OF 27 JAN 2003.
- DIMENSIONS ARE IN INCHES [MILLIMETERS].

		POSITRONIC INDUSTRIES INC. www.connectpositronic.com	
	CBD SERIES	SCALE N.T.S.	DRAWN BY YK
DECIMAL TOL. ± 0.015 [0.38]	TITLE MS4820D/AA		
ANGULAR TOL. ± 5°	DATE 7-18-06	DRAWING NUMBER SK7771	REV. NC