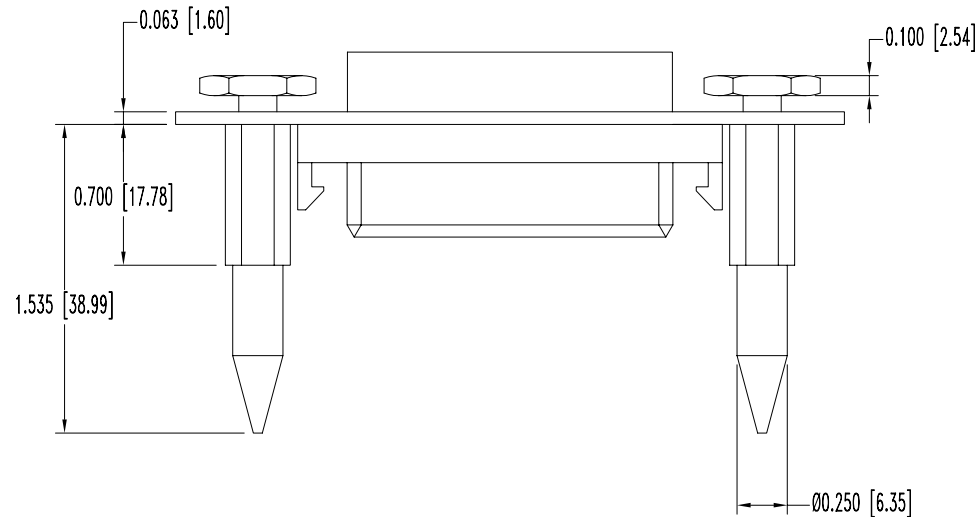
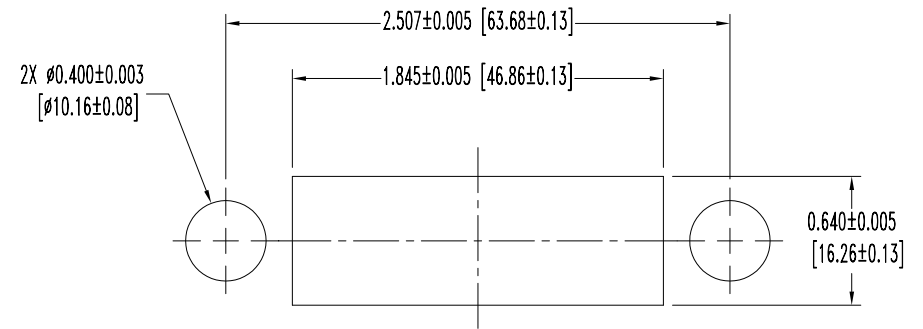
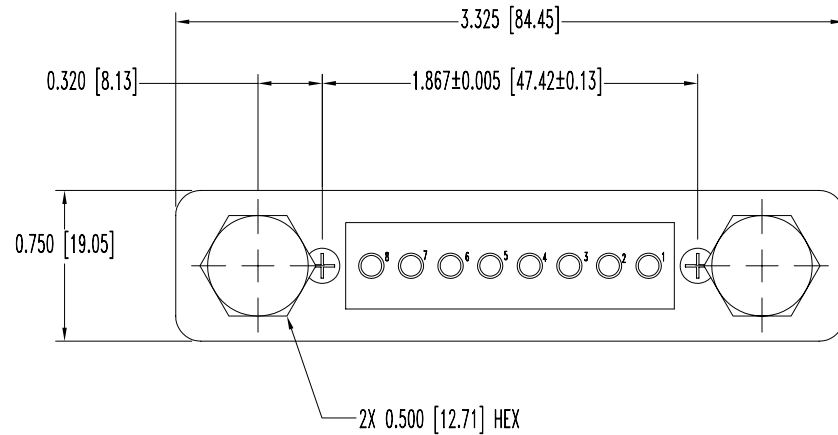


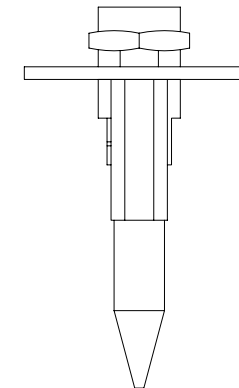
SK7105

POSITRONIC INDUSTRIES BELIEVES THE DATA ON THIS DRAWING TO BE RELIABLE. SINCE THE TECHNICAL INFORMATION IS GIVEN FREE OF CHARGE, THE USER EMPLOYS SUCH INFORMATION AT HIS OWN DISCRETION AND RISK. POSITRONIC INDUSTRIES ASSUMES NO RESPONSIBILITY FOR RESULTS OBTAINED OR DAMAGES INCURRED FROM USE OF SUCH INFORMATION IN WHOLE OR IN PART.

DATE	REV	REVISION RECORD	APP	DR	CK
3-1-06	NC	ECO 25576	TK	YK	COLE
4-5-07	A	ECO 27719		YK	



PANEL CUTOUT



NOTES:

- MATERIALS AND FINISHES:
 INSULATOR: GLASS FILLED POLYESTER, UL 94V-0.
 BLIND MATING PLATE: STAINLESS STEEL, PASSIVATED.
 BLIND MATING GUIDES: STAINLESS STEEL, PASSIVATED.
 FLOAT SCREW: STEEL, ZINC PLATE WITH CHROMATE SEAL.
 SCREWS: STEEL, ZINC PLATE WITH CHROMATE SEAL.
- ELECTRICAL CHARACTERISTICS:
 INSULATOR RESISTANCE: 5 G OHMS, PER IEC 512-2, TEST 3a, METHOD A.
 TEMPERATURE RANGE: -55°C TO +125°C.
- RECOMMENDED PANEL THICKNESS 0.040 [1.02].
- CONNECTORS ARE ROHS COMPLIANT PER ROHS DIRECTIVE 2002/95/EC OF 27 JAN 2003.
- DIMENSIONS ARE IN INCHES [MILLIMETERS].

	POSITRONIC INDUSTRIES INC. www.connectpositronic.com		FSCM 28198
	DECIMAL TOL. ± 0.015 [0.38]	PCS SERIES	SCALE N.T.S.
ANGULAR TOL. ± 5°	DATE 3-1-06	DRAWING NUMBER SK7105	APPROVED BY T.KEPLEY
TITLE PLA08F80110/AA			
			REV. A