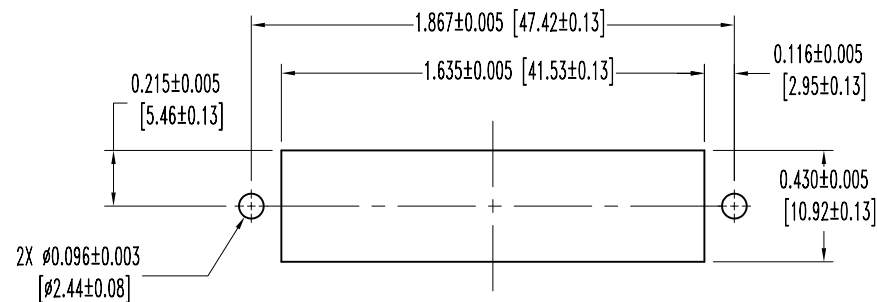
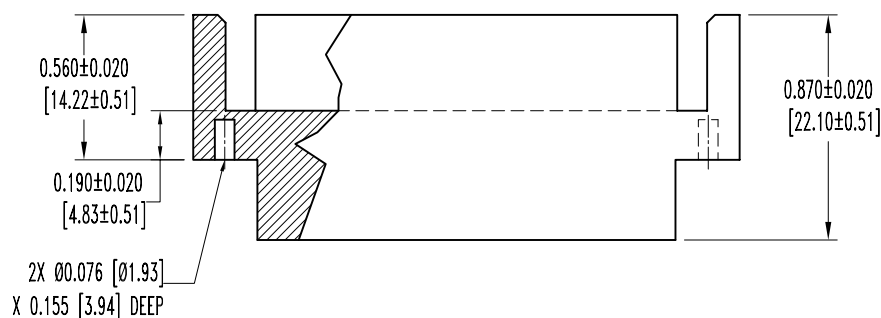
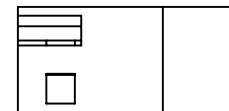
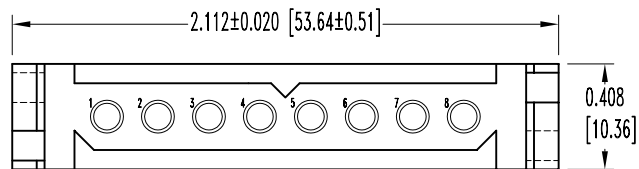


POSITRONIC INDUSTRIES BELIEVES THE DATA ON THIS DRAWING TO BE RELIABLE. SINCE THE TECHNICAL INFORMATION IS GIVEN FREE OF CHARGE, THE USER EMPLOYS SUCH INFORMATION AT HIS OWN DISCRETION AND RISK. POSITRONIC INDUSTRIES ASSUMES NO RESPONSIBILITY FOR RESULTS OBTAINED OR DAMAGES INCURRED FROM USE OF SUCH INFORMATION IN WHOLE OR IN PART.

DATE	REV	REVISION RECORD	APP	DR	CK
3-21-06	NC	ECO 25674		YK	



PANEL CUTOUT

NOTES:

- MATERIALS AND FINISHES:  
INSULATOR: GLASS FILLED POLYESTER, UL 94V-0, COLOR BLUE.
- ELECTRICAL CHARACTERISTICS:  
INSULATOR RESISTANCE: 5 G OHMS PER IEC 512-2, TEST 3a, METHOD A.  
WORKING VOLTAGE: 600 VAC.
- WORKING TEMPERATURE: -55°C TO +125°C.
- CONNECTORS ARE ROHS COMPLIANT PER ROHS DIRECTIVE 2002/95/EC OF 27 JAN 2003.
- DIMENSIONS ARE IN INCHES [MILLIMETERS].

		<b>POSITRONIC INDUSTRIES INC.</b> www.connectpositronic.com	
		DECIMAL TOL. ± 0.015 [0.38]	TITLE PLA08M1000/AA
SCALE N.T.S.	DRAWN BY YK	DATE 3-21-06	DRAWING NUMBER SK7197
ANGULAR TOL. ± 5°	APPROVED BY	REV. NC	