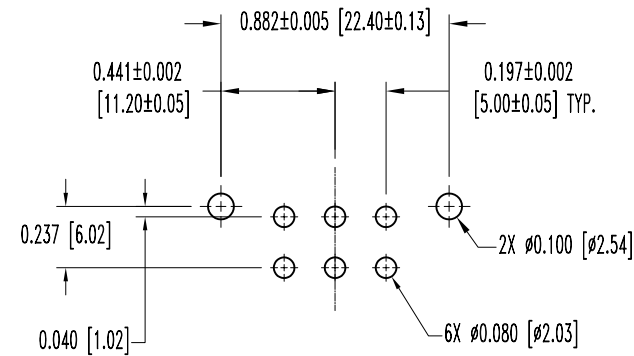
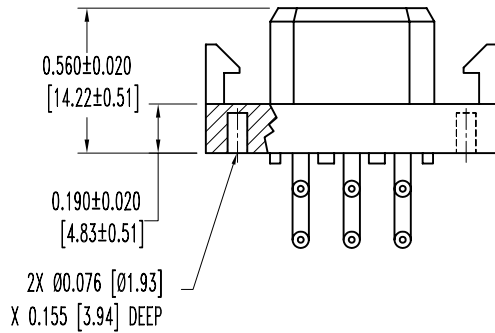
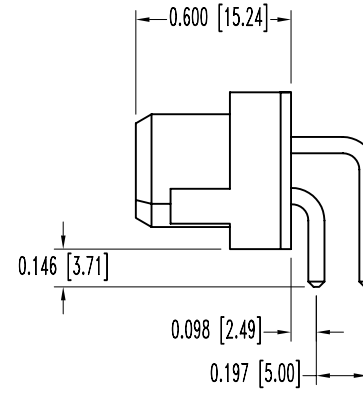
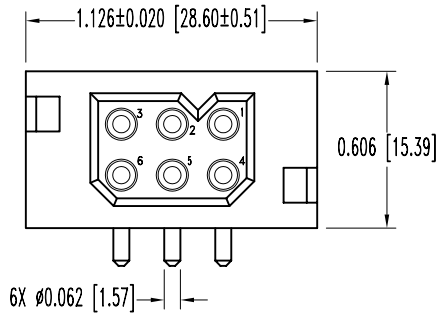


SK3464

POSITRONIC INDUSTRIES BELIEVES THE DATA ON THIS DRAWING TO BE RELIABLE. SINCE THE TECHNICAL INFORMATION IS GIVEN FREE OF CHARGE, THE USER EMPLOYS SUCH INFORMATION AT HIS OWN DISCRETION AND RISK. POSITRONIC INDUSTRIES ASSUMES NO RESPONSIBILITY FOR RESULTS OBTAINED OR DAMAGES INCURRED FROM USE OF SUCH INFORMATION IN WHOLE OR IN PART.

DATE	REV	REVISION RECORD	APP	DR	CK
10-31-00	NC	ECO 16953	RCW	ME	JG
5-1-06	A	ECO 25862		YK	



CONTACT HOLE PATTERN

NOTES:

- MATERIALS AND FINISHES:
 INSULATOR: GLASS FILLED POLYESTER, UL 94V-0, COLOR BLUE.
 CONTACTS: PRECISION MACHINED COPPER ALLOY, GOLD FLASH OVER NICKEL PLATE.
- ELECTRICAL CHARACTERISTICS:
 CONTACT CURRENT RATING: 31 AMPS PER UL 1977.
 INITIAL CONTACT RESISTANCE: 0.0016 OHMS MAX. PER IEC 512-2, TEST 2b.
 INSULATION RESISTANCE: 5 G OHMS PER IEC 512-2, TEST 3a, METHOD A.
 WORKING VOLTAGE: 600 VAC.
- WORKING TEMPERATURE: -55°C TO +125°C.
- DIMENSIONS ARE IN INCHES [MILLIMETERS].

	POSITRONIC INDUSTRIES INC. www.connectpositronic.com		SCALE	DRAWN BY
	PCS SERIES		N.T.S.	YK
DECIMAL TOL. ± 0.015 [0.38]	TITLE PLB06F400A1		APPROVED BY	RCW
ANGULAR TOL. ± 5°	DATE 10-31-00	DRAWING NUMBER SK3464	REV.	A