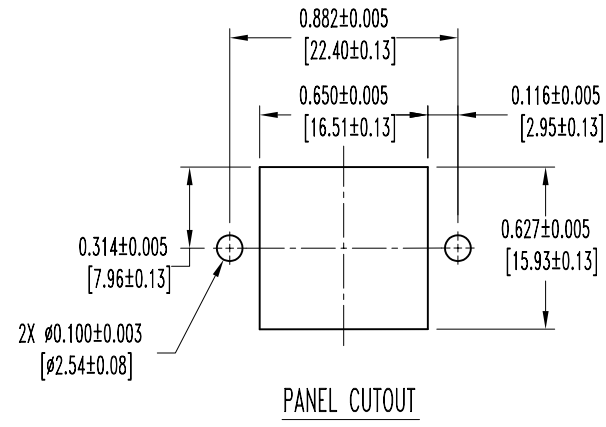
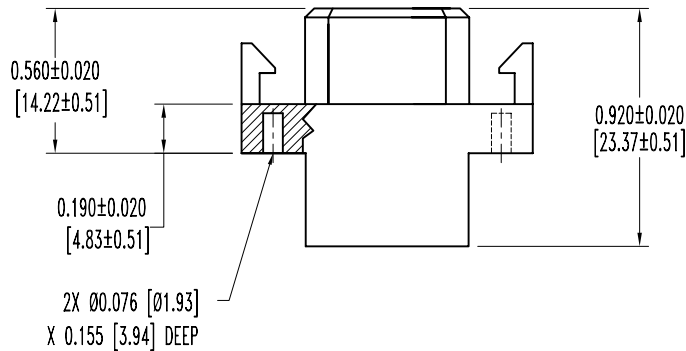
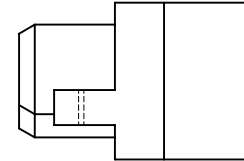
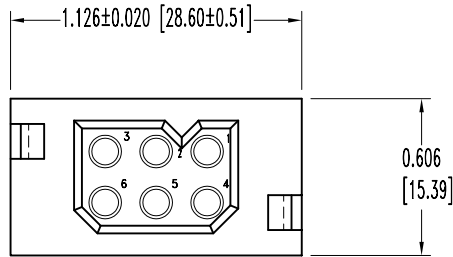


SK7600


POSITRONIC INDUSTRIES BELIEVES THE DATA ON THIS DRAWING TO BE RELIABLE. SINCE THE TECHNICAL INFORMATION IS GIVEN FREE OF CHARGE, THE USER EMPLOYS SUCH INFORMATION AT HIS OWN DISCRETION AND RISK. POSITRONIC INDUSTRIES ASSUMES NO RESPONSIBILITY FOR RESULTS OBTAINED OR DAMAGES INCURRED FROM USE OF SUCH INFORMATION IN WHOLE OR IN PART.

DATE	REV	REVISION RECORD	APP	DR	CK
6-15-06	NC	ECO 26170		YK	



NOTES:

- MATERIALS AND FINISHES:  
INSULATOR: GLASS FILLED POLYESTER, UL 94V-0.  
SCREWS: STEEL, ZINC PLATE.
- ELECTRICAL CHARACTERISTICS:  
INSULATION RESISTANCE: 5 G OHMS PER IEC 512-2, TEST 3a, METHOD A.  
WORKING VOLTAGE: 600 VAC.
- WORKING TEMPERATURE: -55°C TO +125°C.
- CONNECTORS ARE ROHS COMPLIANT PER ROHS DIRECTIVE 2002/95/EC OF 27 JAN. 2003.
- DIMENSIONS ARE IN INCHES [MILLIMETERS].

 <b>POSITRONIC INDUSTRIES INC.</b> www.connectpositronic.com		SCALE		DRAWN BY	
DECIMAL TOL. $\pm 0.015$ [0.38]		PCS SERIES		N.T.S.	
ANGULAR TOL. $\pm 5^\circ$		DATE		REV.	
		6-15-06		NC	
		DRAWING NUMBER		APPROVED BY	
		SK7600		YK	
		TITLE			
		PLB06F8000/AA			