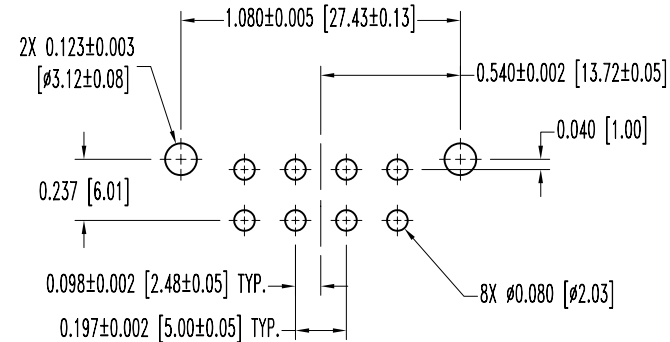
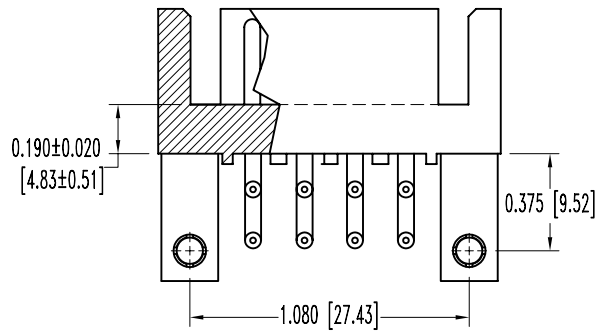
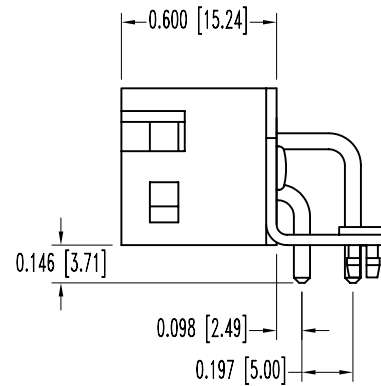
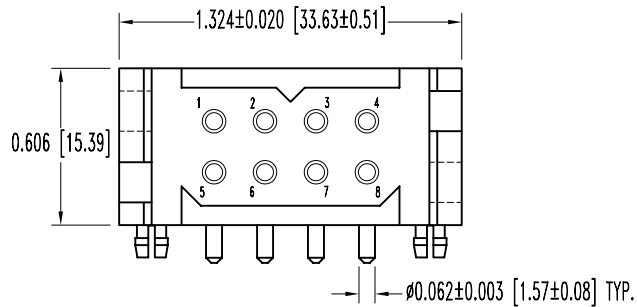


SK4100

POSITRONIC INDUSTRIES BELIEVES THE DATA ON THIS DRAWING TO BE RELIABLE. SINCE THE TECHNICAL INFORMATION IS GIVEN FREE OF CHARGE, THE USER EMPLOYS SUCH INFORMATION AT HIS OWN DISCRETION AND RISK. POSITRONIC INDUSTRIES ASSUMES NO RESPONSIBILITY FOR RESULTS OBTAINED OR DAMAGES INCURRED FROM USE OF SUCH INFORMATION IN WHOLE OR IN PART.

| DATE | REV | REVISION RECORD | APP | DR | CK |
|----------|-----|-----------------|-----|----|------|
| 12-19-01 | NC | ECO 18794 | RCW | YK | COLE |
| 7-10-06 | A | ECO 26330 | | YK | |
| | | | | | |
| | | | | | |



CONTACT HOLE PATTERN

NOTES:

- MATERIALS AND FINISHES:
 INSULATOR: GLASS FILLED POLYESTER. UL 94V-0. BLUE COLOR.
 CONTACTS: PRECISION MACHINED COPPER ALLOY, GOLD FLASH OVER NICKEL.
 MOUNTING BRACKET: BRASS WITH TIN PLATE.
 PUSH-ON FASTENERS: BERYLLIUM COPPER, TIN PLATE.
- ELECTRICAL CHARACTERISTICS:
 CONTACT CURRENT RATING: 27 AMPERES, PER UL1977.
 INITIAL CONTACT RESISTANCE: 0.016 OHMS MAX. PER IEC 512-2, TEST 2b.
 INSULATION RESISTANCE: 5 G OHMS PER IEC 512-2, TEST 3a, METHOD A.
 WORKING VOLTAGE: 600 VAC.
- WORKING TEMPERATURE: -55°C TO +125°C.
- DIMENSIONS ARE IN INCHES [MILLIMETERS].

| | | | | |
|------------------------------------|--|----------------|-------------|---------------|
| | POSITRONIC INDUSTRIES INC. www.connectpositronic.com | | SCALE | DRAWN BY |
| | PCS SERIES | | N.T.S. | Y. KELLEYBREW |
| DECIMAL TOL. ± 0.015 [0.38] | TITLE PLB08M4BNOA1 | | APPROVED BY | RCW |
| ANGULAR TOL. $\pm 5^\circ$ | DATE | DRAWING NUMBER | REV. | |
| | 12-19-01 | SK4100 | A | |