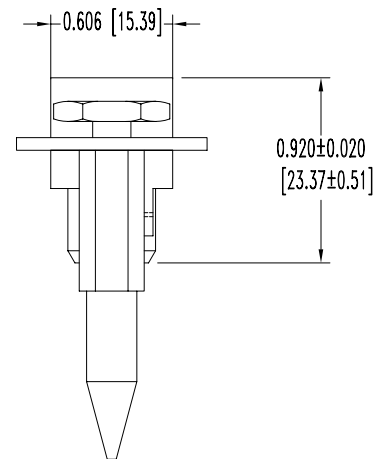
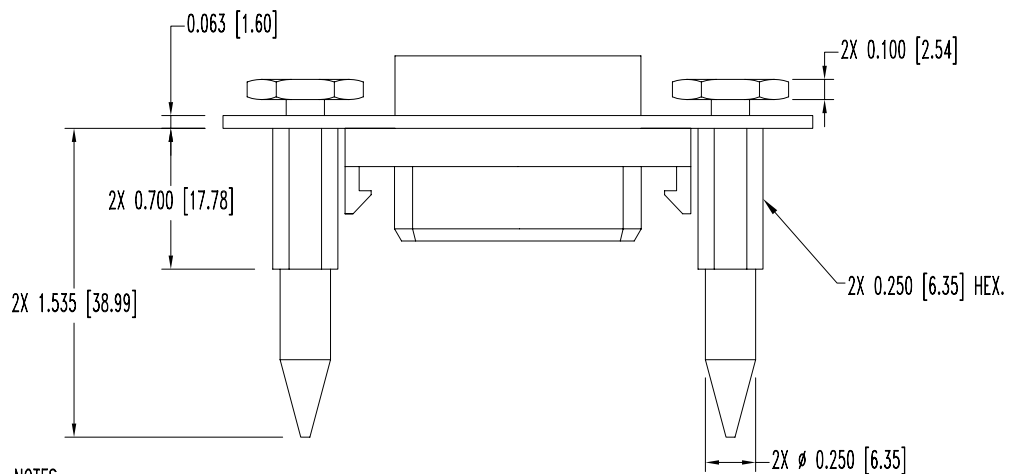
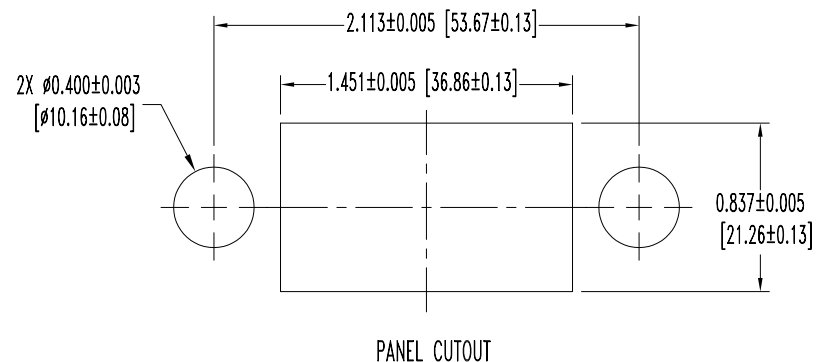
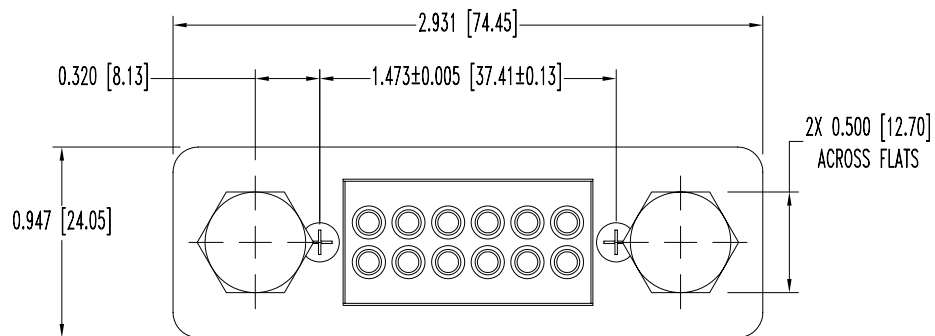


POSITRONIC INDUSTRIES BELIEVES THE DATA ON THIS DRAWING TO BE RELIABLE. SINCE THE TECHNICAL INFORMATION IS GIVEN FREE OF CHARGE, THE USER EMPLOYS SUCH INFORMATION AT HIS OWN DISCRETION AND RISK. POSITRONIC INDUSTRIES ASSUMES NO RESPONSIBILITY FOR RESULTS OBTAINED OR DAMAGES INCURRED FROM USE OF SUCH INFORMATION IN WHOLE OR IN PART.

DATE	REV	REVISION RECORD	APP	DR	CK
3-19-07	NC	ECO 27643		YK	



NOTES:

- MATERIALS AND FINISHES:
 INSULATOR: GLASS FILLED POLYESTER, UL 94V-0.
 BLIND MATING PLATE: STEEL, ZINC PLATE WITH CHROMATE SEAL
 BLIND MATING GUIDE: STAINLESS STEEL, PASSIVATED.
 FLOAT SCREW: STEEL, ZINC PLATE WITH CHROMATE SEAL.
- ELECTRICAL CHARACTERISTICS:
 INSULATOR RESISTANCE: 5 G OHMS, PER IEC 512-2, TEST 3a, METHOD A.
 WORKING VOLTAGE: 600 VAC.
- PANEL THICKNESS MAY IMPACT THE ORIENTATION OF MATING END OF BLIND MATE PIN. SHIMMING BETWEEN THE PANEL AND THE HEAD OF THE BLIND MATE PIN MAY BE NECESSARY TO MINIMIZE THE TILT OF THE BLIND MATE SYSTEM.
- TEMPERATURE RANGE: -55°C TO +125°C.
- CONNECTORS ARE ROHS COMPLIANT PER ROHS DIRECTIVE 2202/95/EC OF 27 JAN 2003.
- DIMENSIONS ARE IN INCHES [MILLIMETERS].

 POSITRONIC INDUSTRIES INC. www.connectpositronic.com		SCALE		DRAWN BY	
DECIMAL TOL. ± 0.015 [0.38]		PCS SERIES		N.T.S.	
ANGULAR TOL. ± 5°		DATE 3-19-07		DRAWING NUMBER SK8417	
TITLE PLB12F10120/AA		APPROVED BY YK		REV. NC	