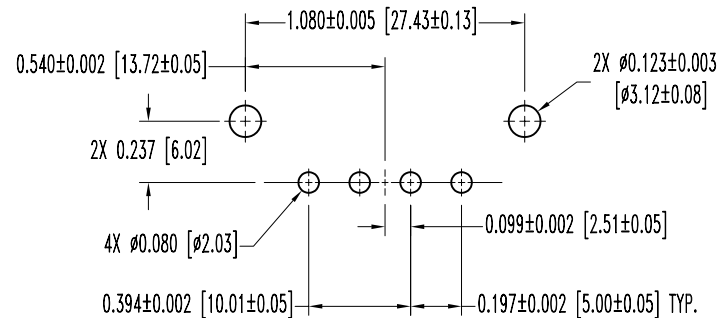
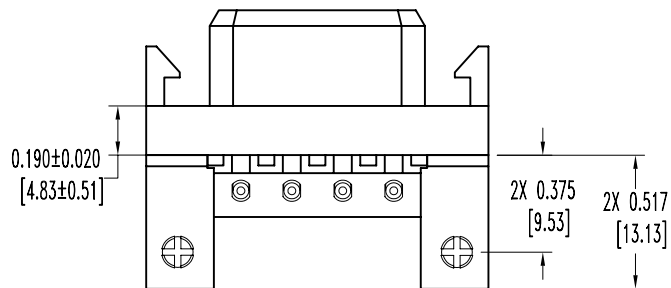
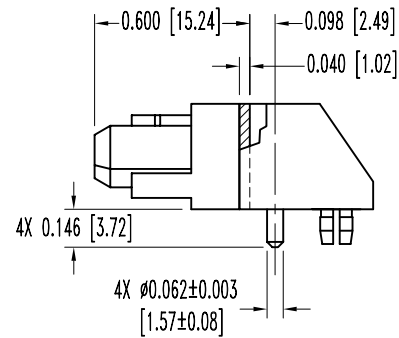
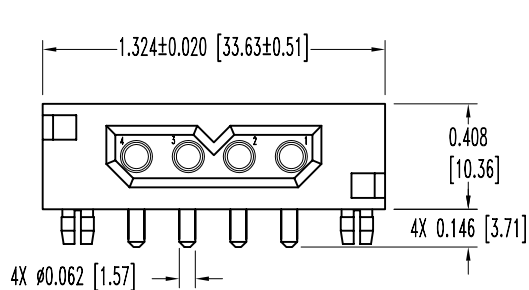


SK4053

POSITRONIC INDUSTRIES BELIEVES THE DATA ON THIS DRAWING TO BE RELIABLE. SINCE THE TECHNICAL INFORMATION IS GIVEN FREE OF CHARGE, THE USER EMPLOYS SUCH INFORMATION AT HIS OWN DISCRETION AND RISK. POSITRONIC INDUSTRIES ASSUMES NO RESPONSIBILITY FOR RESULTS OBTAINED OR DAMAGES INCURRED FROM USE OF SUCH INFORMATION IN WHOLE OR IN PART.

| DATE | REV | REVISION RECORD | APP | DR | CK |
|-------------|-----|-----------------|-----|----|------|
| 11-20 01 | NC | ECO 18657 | RCW | YK | COLE |
| 8-9 04 | A | ECO 22836 | | ME | |
| | | | | | |
| | | | | | |



CONTACT HOLE PATTERN

NOTES:

- MATERIALS AND FINISHES:
 INSULATOR: GLASS FILLED POLYESTER, UL 94V-0, COLOR BLUE.
 CONTACTS: PRECISION MACHINED HIGH TENSILE COPPER ALLOY, GOLD FLASH OVER NICKEL.
 MOUNTING BRACKET WITH ALIGNMENT BAR: GLASS FILLED POLYESTER, UL 94V-0, COLOR BLUE.
 PUSH-ON FASTENER: SPRING TEMPERED COPPER ALLOY, TIN PLATE.
 MOUNTING SCREWS: STEEL, ZINC PLATE.
- ELECTRICAL CHARACTERISTICS:
 CONTACT CURRENT RATING: 32 AMPS. PER UL 1977.
 INITIAL CONTACT RESISTANCE: 0.0016 OHMS MAX. PER IEC 512-2, TEST 2b.
 INSULATOR RESISTANCE: 5 G OHMS PER IEC 512-2, TEST 3a, METHOD A.
 WORKING VOLTAGE: 600 VAC.
- WORKING TEMPERATURE: -55°C TO +125°C.
- DIMENSIONS ARE IN INCHES [MILLIMETERS].

| | | | |
|--------------------------------|------------------------|--|-----------------|
| | | POSITRONIC INDUSTRIES INC. www.connectpositronic.com | |
| | | PCS SERIES | SCALE N.T.S. |
| DECIMAL TOL. ± 0.015 [0.38] | TITLE PLA04F4B3N0A1 | | |
| ANGULAR TOL. ± 5° | DATE 11-20-01 | DRAWING NUMBER SK4053 | REV. A |