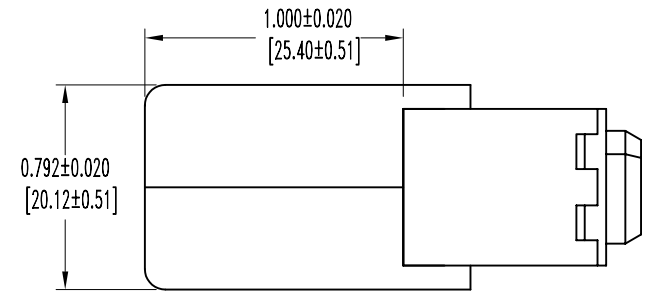
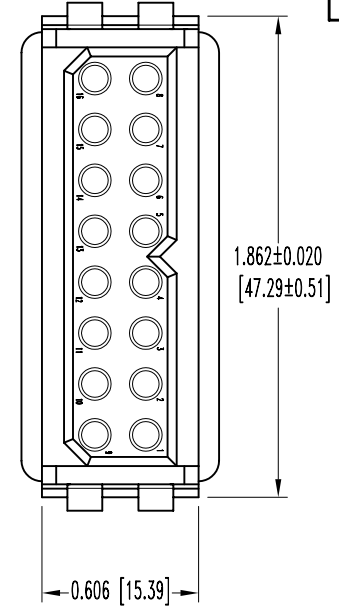
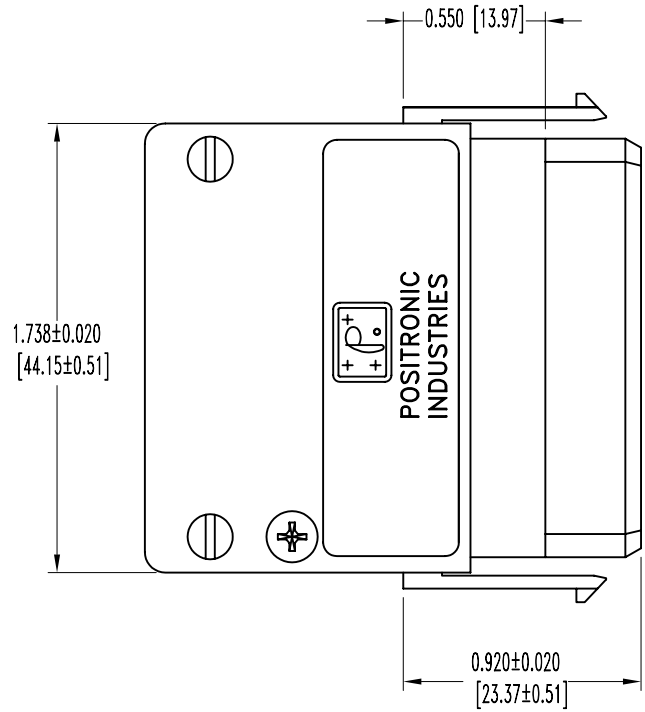


SK8233


POSITRONIC INDUSTRIES BELIEVES THE DATA ON THIS DRAWING TO BE RELIABLE. SINCE THE TECHNICAL INFORMATION IS GIVEN FREE OF CHARGE, THE USER EMPLOYS SUCH INFORMATION AT HIS OWN DISCRETION AND RISK. POSITRONIC INDUSTRIES ASSUMES NO RESPONSIBILITY FOR RESULTS OBTAINED OR DAMAGES INCURRED FROM USE OF SUCH INFORMATION IN WHOLE OR IN PART.

DATE	REV	REVISION RECORD	APP	DR	CK
12-19-06	NC	ECO 27193		YK	



NOTES:

- MATERIALS AND FINISHES:
 INSULATOR: GLASS FILLED POLYESTER, UL 94V-0, COLOR BLUE.
 HOOD: GLASS FILLED POLYESTER, UL 94V-0, COLOR BLUE.
 SCREWS: STEEL, ZINC PLATE WITH CHROMATE SEAL.
 CABLE CLAMP: STEEL, NICKEL PLATE.
 CABLE CLAMP SCREWS: STEEL, ZINC PLATE WITH CHROMATE SEAL.
- ELECTRICAL CHARACTERISTICS:
 INSULATOR RESISTANCE: 5 G. OHMS. PER IEC 512-2, TEST 3a.
- TEMPERATURE RANGE: -55°C TO 125°C.
- DIMENSIONS ARE IN INCHES [MILLIMETERS].

 POSITRONIC INDUSTRIES INC. www.connectpositronic.com		SCALE		DRAWN BY	
DECIMAL TOL. ± 0.015 [0.38]		N.T.S.		YK	
TITLE PCS SERIES		APPROVED BY			
PLB16F0050					
DATE 12-19-06		DRAWING NUMBER SK8233		REV. NC	
ANGULAR TOL. ± 5°					