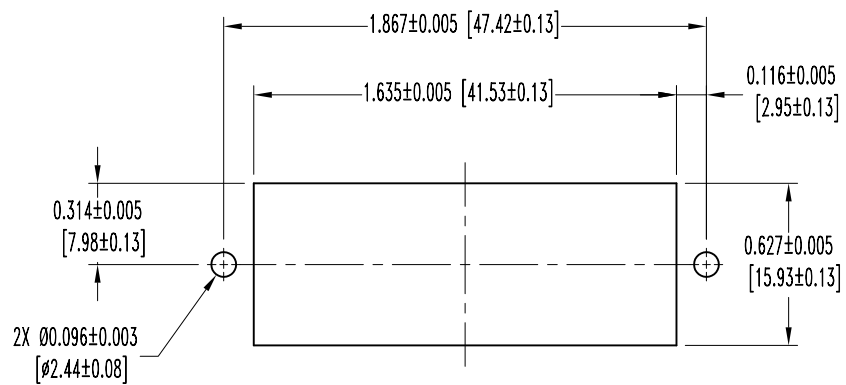
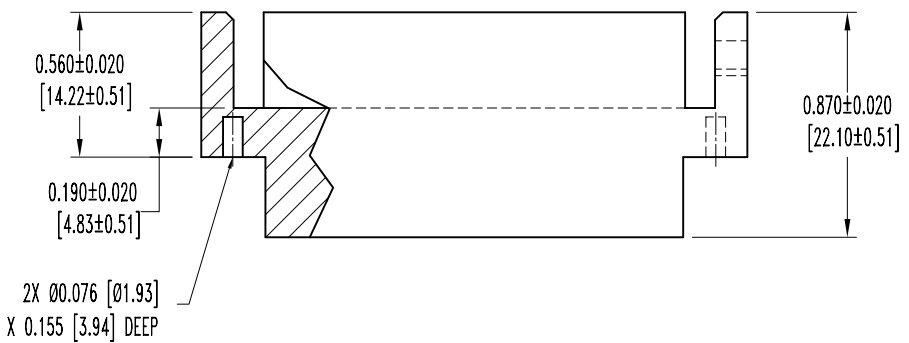
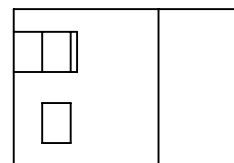
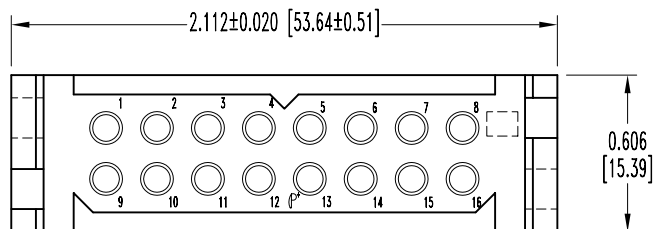


SK6902


POSITRONIC INDUSTRIES BELIEVES THE DATA ON THIS DRAWING TO BE RELIABLE. SINCE THE TECHNICAL INFORMATION IS GIVEN FREE OF CHARGE, THE USER EMPLOYS SUCH INFORMATION AT HIS OWN DISCRETION AND RISK. POSITRONIC INDUSTRIES ASSUMES NO RESPONSIBILITY FOR RESULTS OBTAINED OR DAMAGES INCURRED FROM USE OF SUCH INFORMATION IN WHOLE OR IN PART.

DATE	REV	REVISION RECORD	APP	DR	CK
12-28-05	NC	ECO 25260		ME	



PANEL CUTOUT

- NOTES:
- MATERIALS AND FINISHES:
INSULATOR: GLASS FILLED POLYESTER, UL 94V-0. COLOR BLUE.
 - ELECTRICAL CHARACTERISTICS:
INSULATION RESISTANCE: 5 G OHMS PER IEC 512-2, TEST 3a, METHOD A.
WORKING VOLTAGE: 600 VAC.
 - WORKING TEMPERATURE: -55°C TO +125°C.
 - CONNECTORS ARE ROHS COMPLIANT PER ROHS DIRECTIVE 2002/95/EC OF 27 JAN. 2003.
 - DIMENSIONS ARE IN INCHES [MILLIMETERS].

 POSITRONIC INDUSTRIES INC. www.connectpositronic.com		SCALE N.T.S.		DRAWN BY M. ENEA	
DECIMAL TOL. ± 0.015 [0.38]		PCS SERIES		APPROVED BY	
		PLB16M8000/AA			
ANGULAR TOL. ± 5°		DATE 12-28-05		DRAWING NUMBER SK6902	
				REV. NC	