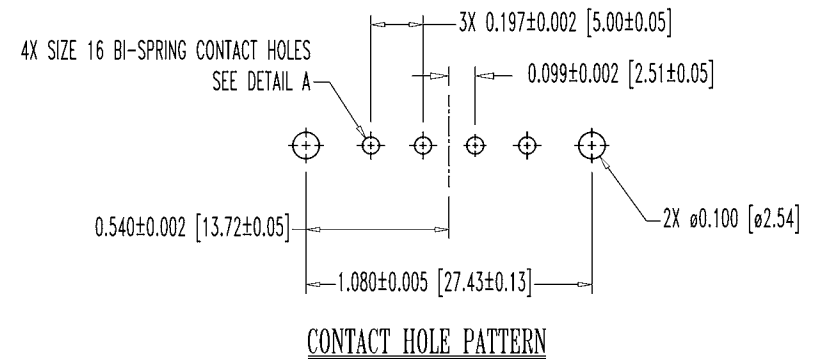
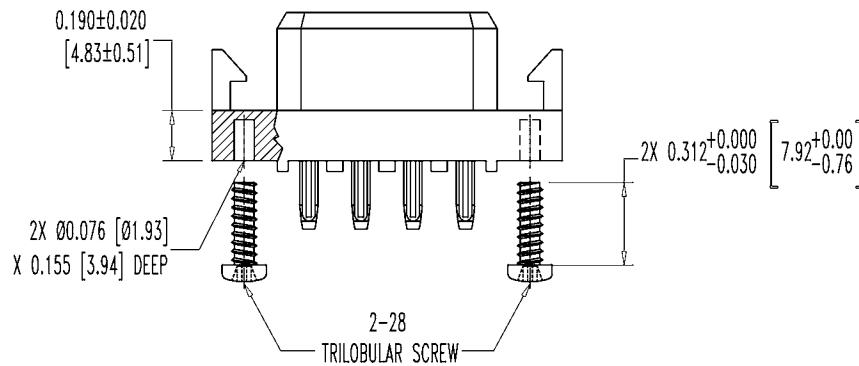
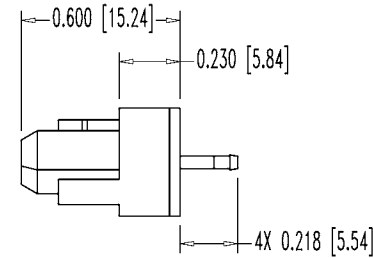
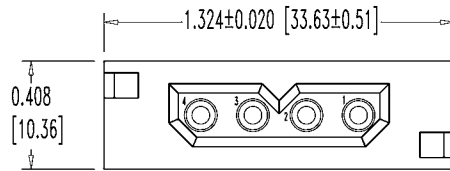


SK3378

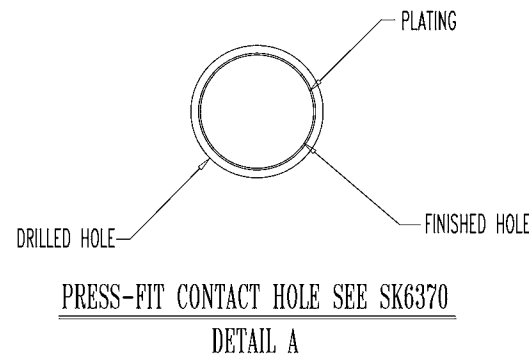
POSITRONIC INDUSTRIES BELIEVES THE DATA ON THIS DRAWING TO BE RELIABLE, SINCE THE TECHNICAL INFORMATION IS GIVEN FREE OF CHARGE, THE USER EMPLOYS SUCH INFORMATION AT HIS OWN DISCRETION AND RISK. POSITRONIC INDUSTRIES ASSUMES NO RESPONSIBILITY FOR RESULTS OBTAINED OR DAMAGES INCURRED FROM USE OF SUCH INFORMATION IN WHOLE OR IN PART.

DATE	REV	REVISION RECORD	APP	DR	CK
7-14-00	NC	ECO 16529	RCW	YK	COLE
8-9-04	A	ECO 22836	TK	ME	TK
8-21-05	B	ECO 24253	RCW	ME	YK
8-02-06	C	ECO 24441		LO	



NOTES:

- MATERIALS AND FINISHES:
 INSULATOR: GLASS FILLED POLYESTER, UL 94V-0, COLOR BLUE.
 CONTACTS: PRECISION MACHINED COPPER ALLOY, GOLD FLASH OVER NICKEL.
 MOUNTING SCREWS: STEEL, ZINC PLATE.
- ELECTRICAL CHARACTERISTICS:
 CONTACT CURRENT RATING: 32 AMPERES PER UL 1977.
 INITIAL CONTACT RESISTANCE: 0.0016 ohms MAX. PER IEC 512-2, TEST 2b.
 INSULATOR RESISTANCE: 5 G OHMS. PER IEC 512-2, TEST 3a, METOD A.
 WORKING VOLTAGE: 600 VAC.
- WORKING TEMPERATURE: -55°C TO +125°C
- DIMENSIONS ARE INCHES [MILLIMETERS]



	POSITRONIC INDUSTRIES INC. www.connectpositronic.com	
	PCS SERIES	SCALE N.T.S.
DECIMAL TOL. ±0.015 [0.38]	APPROVED BY RCW	
TITLE PLA04F93ST30A1		
ANGULAR TOL. ±5°	DATE 7-14-00	DRAWING NUMBER SK3378
		REV. C