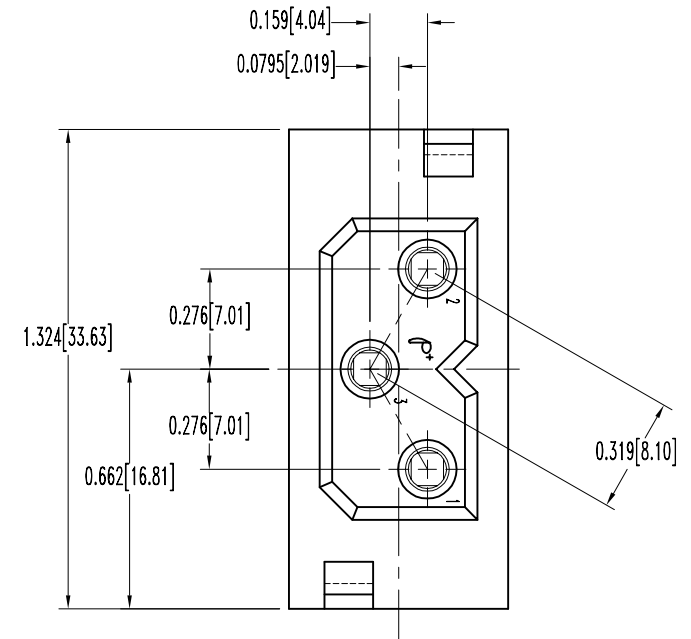
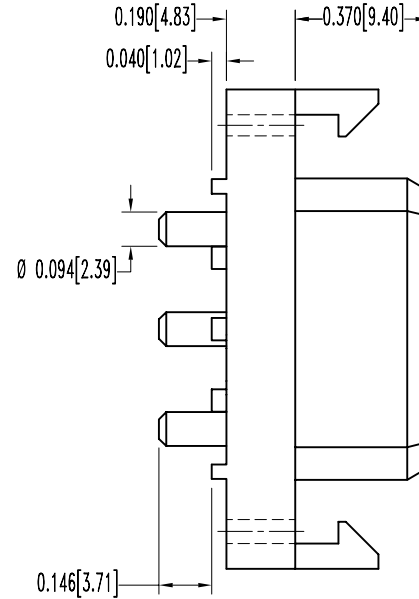
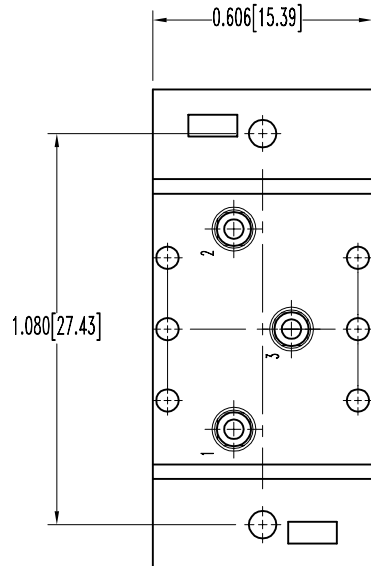


SK2791

POSITRONIC INDUSTRIES BELIEVES THE DATA ON THIS DRAWING TO BE RELIABLE. SINCE THE TECHNICAL INFORMATION IS GIVEN FREE OF CHARGE, THE USER EMPLOYS SUCH INFORMATION AT HIS OWN DISCRETION AND RISK. POSITRONIC INDUSTRIES ASSUMES NO RESPONSIBILITY FOR RESULTS OBTAINED OR DAMAGES INCURRED FROM USE OF SUCH INFORMATION IN WHOLE OR IN PART.

DATE	REV	REVISION RECORD	APP	DR	CK
10-21 96	A	ECO 10291	RM	MS	MZ
11-22 96	B	ECO 11272	RM	MS	MZ
12-3 96	C	ECO 11308	RCW	MS	MZ
5-29 01	D	ECO 17815		JLG	



## NOTES:

## 1. MATERIALS AND FINISHES:

INSULATOR: 15% GLASS FILLED POLYESTER, UL 94V-0.  
POWER CONTACTS: SIZE 12, MACHINED COPPER ALLOY,  
GOLD FLASH OVER NICKEL, SOLDER COATED TERMINATIONS.

## 2. SEQUENTIAL MATING OF MALE AND FEMALE CONTACTS.

## 3. ELECTRICAL CHARACTERISTICS:

CONTACT CURRENT RATING: 40 AMPERES CONTINUOUS PER IEC 512-3, TEST 5b  
INITIAL CONTACT RESISTANCE: 0.003 OHMS MAXIMUM  
INSULATOR RESISTANCE: 5 G. OHMS.  
WORKING VOLTAGE: 300 V. r.m.s.  
HOT PLUGGABLE. (50 COUPLINGS MINIMUM WITHOUT  
ELECTRICAL OR MECHANICAL FAILURE).

## 4. TEMPERATURE RANGE: -55°C TO 125°C.

## 5. DIMENSIONS ARE IN INCHES [MILLIMETERS].

 <b>POSITRONIC INDUSTRIES INC.</b> <a href="http://www.connectpositronic.com">www.connectpositronic.com</a>		SCALE	DRAWN BY
		N.T.S.	L. POLODNA
DECIMAL TOL.	3 FEMALE CONTACTS	APPROVED BY	RGM
± 0.015 [0.38]	TITLE	PLB3W3F300A2	
WF # 3692	DATE	DRAWING NUMBER	REV.
ANGULAR TOL.	10-21-96	SK2791	D
± N/A			