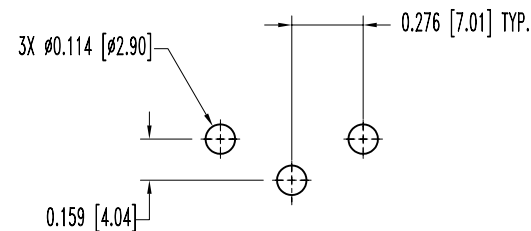
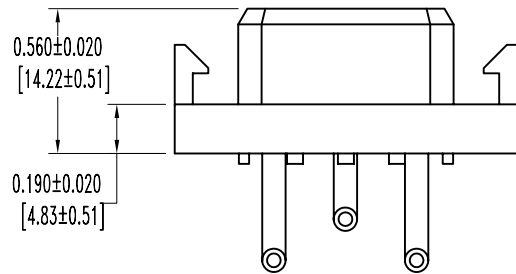
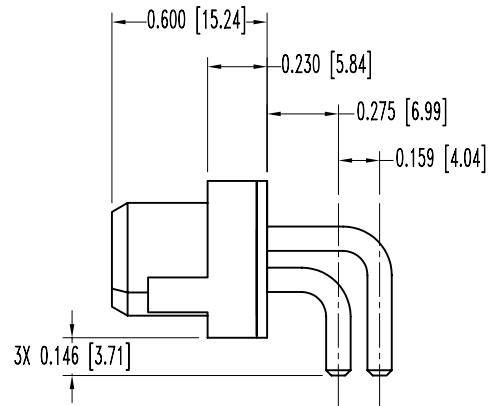
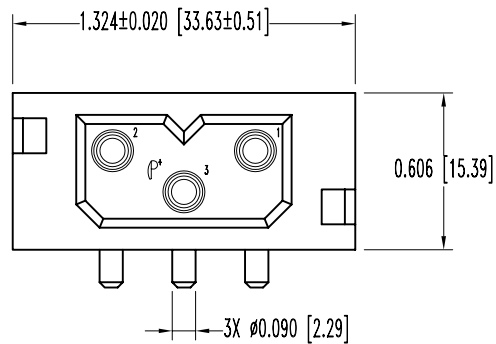


POSITRONIC INDUSTRIES BELIEVES THE DATA ON THIS DRAWING TO BE RELIABLE. SINCE THE TECHNICAL INFORMATION IS GIVEN FREE OF CHARGE, THE USER EMPLOYS SUCH INFORMATION AT HIS OWN DISCRETION AND RISK. POSITRONIC INDUSTRIES ASSUMES NO RESPONSIBILITY FOR RESULTS OBTAINED OR DAMAGES INCURRED FROM USE OF SUCH INFORMATION IN WHOLE OR IN PART.

DATE	REV	REVISION RECORD	APP	DR	CK
7-1-06	NC	ECO 26302		YK	



CONTACT HOLE PATTERN

NOTES:

1. MATERIALS AND FINISHES:

INSULATOR: GLASS FILLED POLYESTER, UL 94V-0, COLOR BLUE.
 CONTACTS: PRECISION MACHINED COPPER ALLOY WITH GOLD FLASH OVER NICKEL PLATE.

2. ELECTRICAL CHARACTERISTICS:

CONTACT CURRENT RATING: 40 AMPERES CONTINUOUS, DERATED PER IEC 512-3, TEST 5b
 INITIAL CONTACT RESISTANCE: 0.001 OHMS MAXIMUM, PER IEC 512-2, TEST 2b.
 INSULATOR RESISTANCE: 5 G OHMS PER IEC 512-2, TEST 3a.

WORKING VOLTAGE: 1,250 V. r.m.s.

3. TEMPERATURE RANGE: -55°C TO 125°C.

4. DIMENSIONS ARE IN INCHES [MILLIMETERS].

		POSITRONIC INDUSTRIES INC. www.connectpositronic.com	
		PCS SERIES	SCALE N.T.S.
DECIMAL TOL. ± 0.015 [0.38]	TITLE PLB3W3F4000A1		
ANGULAR TOL. ± 5°	DATE 7-1-06	DRAWING NUMBER SK7695	REV. NC