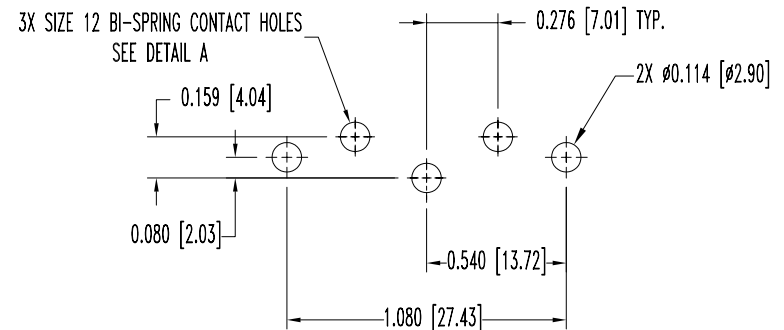
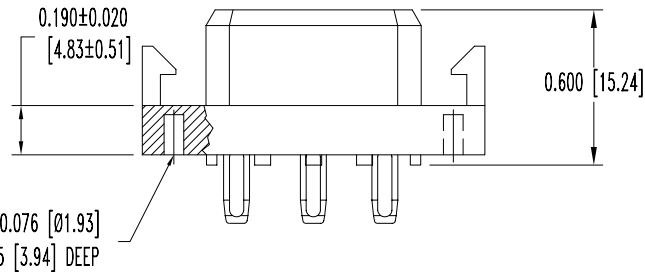
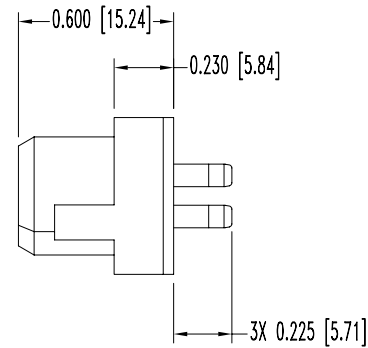
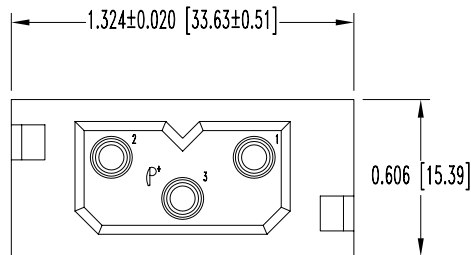


POSITRONIC INDUSTRIES BELIEVES THE DATA ON THIS DRAWING TO BE RELIABLE. SINCE THE TECHNICAL INFORMATION IS GIVEN FREE OF CHARGE, THE USER EMPLOYS SUCH INFORMATION AT HIS OWN DISCRETION AND RISK. POSITRONIC INDUSTRIES ASSUMES NO RESPONSIBILITY FOR RESULTS OBTAINED OR DAMAGES INCURRED FROM USE OF SUCH INFORMATION IN WHOLE OR IN PART.

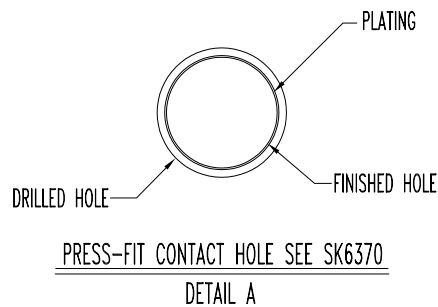
DATE	REV	REVISION RECORD	APP	DR	CK
4-16-07	NC	ECO 27776		YK	



CONTACT HOLE PATTERN

NOTES:

- MATERIALS AND FINISHES:
 INSULATOR: GLASS FILLED POLYESTER, UL 94V-0, COLOR BLUE.
 CONTACTS: PRECISION MACHINED COPPER ALLOY WITH GOLD FLASH OVER NICKEL FINISH.
- ELECTRICAL CHARACTERISTICS:
 CONTACT CURRENT RATING: 40 AMPERES CONTINUOUS PER IEC 512-3, TEST 5a.
 INITIAL CONTACT RESISTANCE: 0.001 OHMS MAXIMUM PER IEC 512-2, TEST 2b.
 INSULATOR RESISTANCE: 5 G. OHMS PER IEC 512-2 TEST 3a.
 WORKING VOLTAGE: 1,250 V. r.m.s.
- TEMPERATURE RANGE: -55°C TO 125°C.
- CONNECTORS ARE ROHS COMPLIANT PER ROHS DIRECTIVE 2002/95/EC OF 27 JAN 2003.
- DIMENSIONS ARE IN INCHES [MILLIMETERS].



		POSITRONIC INDUSTRIES INC. www.connectpositronic.com		FSCM 28198
	PCS SERIES	SCALE N.T.S.	DRAWN BY YK	
DECIMAL TOL. ± 0.015 [0.38]	TITLE PLB3W3F9300A1/AA			
ANGULAR TOL. ± 5°	DATE 4-16-07	DRAWING NUMBER SK8491	REV. NC	