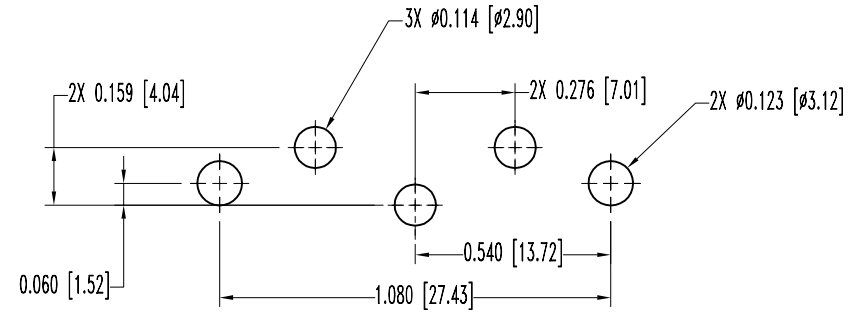
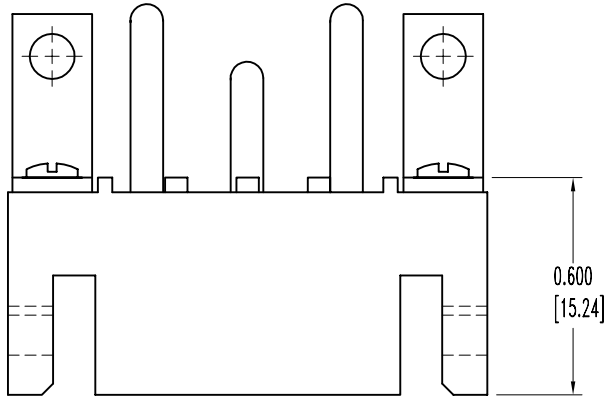


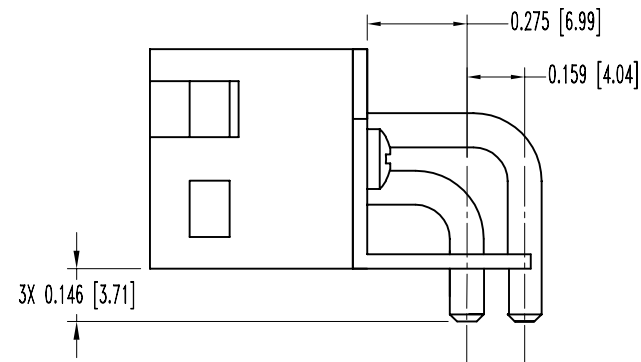
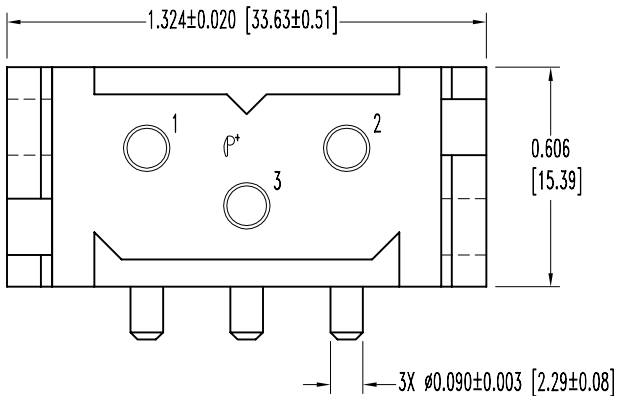
SK4831

POSITRONIC INDUSTRIES BELIEVES THE DATA ON THIS DRAWING TO BE RELIABLE. SINCE THE TECHNICAL INFORMATION IS GIVEN FREE OF CHARGE, THE USER EMPLOYS SUCH INFORMATION AT HIS OWN DISCRETION AND RISK. POSITRONIC INDUSTRIES ASSUMES NO RESPONSIBILITY FOR RESULTS OBTAINED OR DAMAGES INCURRED FROM USE OF SUCH INFORMATION IN WHOLE OR IN PART.

DATE	REV	REVISION RECORD	APP	DR	CK
11-11-02	NC	ECO 20256		ME	


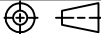


CONTACT HOLE PATTERN



NOTES:

- MATERIALS AND FINISHES:
 INSULATOR: GLASS FILLED POLYESTER, UL 94V-0.
 CONTACTS: PRECISION MACHINED COPPER ALLOY WITH GOLD FLASH OVER NICKEL PLATE.
 MOUNTING BRACKETS: BRASS, TIN PLATE.
- ELECTRICAL CHARACTERISTICS:
 CONTACT CURRENT RATING: 40 AMPERES CONTINUOUS PER IEC 512-3, TEST 5b
 INITIAL CONTACT RESISTANCE: 0.002 OHMS MAXIMUM, PER IEC512-2, TES 2b.
 INSULATOR RESISTANCE: 5 G OHMS PER IEC 512-2, TEST 3a.
 WORKING VOLTAGE: 1,250 V.r.m.s.
- TEMPERATURE RANGE: -55°C TO 125°C.
- DIMENSIONS ARE IN INCHES [MILLIMETERS].

 POSITRONIC INDUSTRIES INC. www.connectpositronic.com		SCALE		DRAWN BY	
 DECIMAL TOL. ± 0.015 [0.38]		PCS SERIES		N.T.S.	
WF #4921		TITLE PLB3W3M4BOA1			
ANGULAR TOL. ± N/A		DATE 11-11-02		DRAWING NUMBER SK4831	
				APPROVED BY M. ENEA	
				REV. NC	