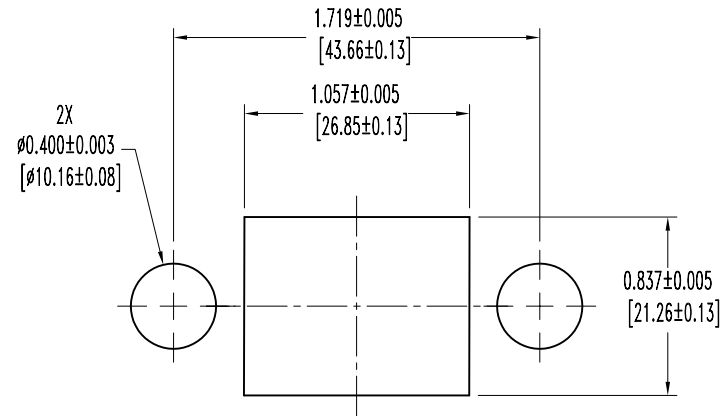
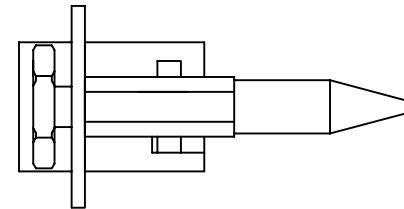
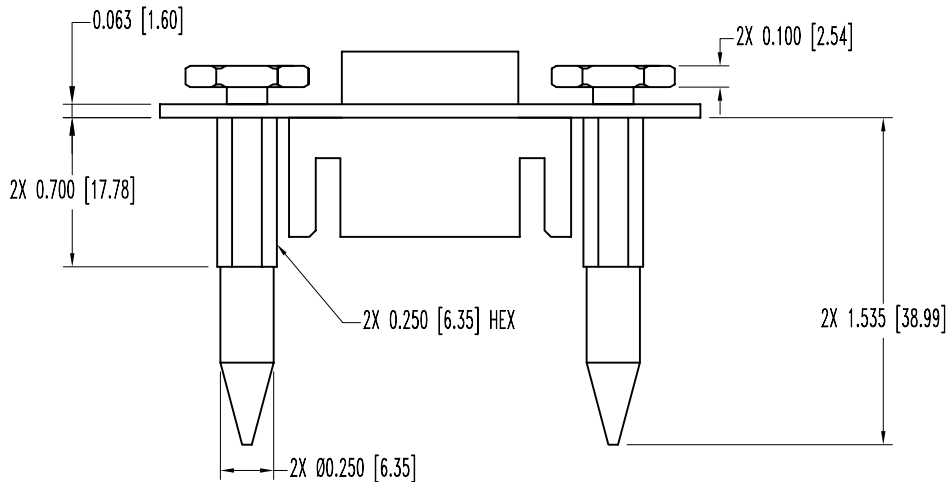
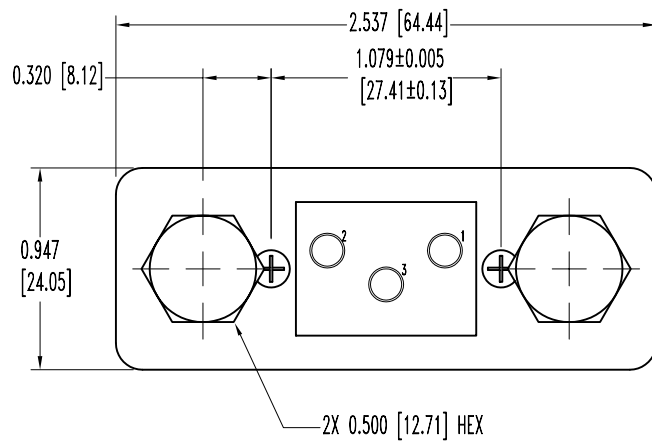


POSITRONIC INDUSTRIES BELIEVES THE DATA ON THIS DRAWING TO BE RELIABLE. SINCE THE TECHNICAL INFORMATION IS GIVEN FREE OF CHARGE, THE USER EMPLOYS SUCH INFORMATION AT HIS OWN DISCRETION AND RISK. POSITRONIC INDUSTRIES ASSUMES NO RESPONSIBILITY FOR RESULTS OBTAINED OR DAMAGES INCURRED FROM USE OF SUCH INFORMATION IN WHOLE OR IN PART.

DATE	REV	REVISION RECORD	APP	DR	CK
12-11-06	NC	ECO 27150		YK	



PANEL CUTOUT
(0.060 [1.52] THICK PANEL)

NOTES:

- MATERIALS AND FINISHES:
 INSULATOR: GLASS FILLED POLYESTER, UL 94V-0. COLOR BLUE.
 BLIND MATING PLATE: STEEL, ZINC PLATE WITH CHROMATE SEAL
 BLIND MATING GUIDE: STAINLESS STEEL, PASSIVATED.
 FLOAT SCREWS: STEEL, ZINC PLATE WITH CHROMATE SEAL.
 SCREWS: STEEL, ZINC PLATE WITH CHROMATE SEAL.
- ELECTRICAL CHARACTERISTICS:
 INSULATOR RESISTANCE: 5 G OHMS, PER IEC 512-2, TEST 3a.
 WORKING VOLTAGE: 1,250 V. r.m.s.
- TEMPERATURE RANGE: -55°C TO -125°C.
- CONNECTORS ARE ROHS COMPLIANT PER ROHS DIRECTIVE 2002/95/EC OF 27 JAN 2003.
- DIMENSIONS ARE IN INCHES [MILLIMETERS].

 POSITRONIC INDUSTRIES INC. www.connectpositronic.com		SCALE		DRAWN BY	
DECIMAL TOL. ± 0.015 [0.38]		PCS SERIES		N.T.S.	
ANGULAR TOL. ± 5°		DATE		REV.	
		12-11-16		NC	
TITLE		DRAWING NUMBER			
PLB3W3M10120/AA		SK8198			
APPROVED BY				YK	