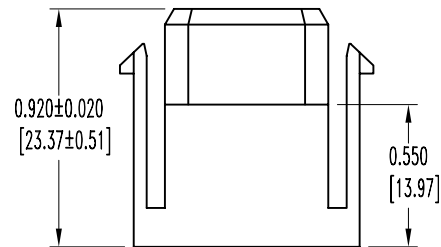
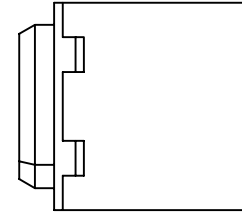
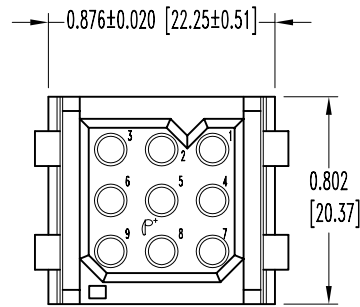


SK7582

POSITRONIC INDUSTRIES BELIEVES THE DATA ON THIS DRAWING TO BE RELIABLE. SINCE THE TECHNICAL INFORMATION IS GIVEN FREE OF CHARGE, THE USER EMPLOYS SUCH INFORMATION AT HIS OWN DISCRETION AND RISK. POSITRONIC INDUSTRIES ASSUMES NO RESPONSIBILITY FOR RESULTS OBTAINED OR DAMAGES INCURRED FROM USE OF SUCH INFORMATION IN WHOLE OR IN PART.

DATE	REV	REVISION RECORD	APP	DR	CK
6-12-06	NC	ECO 26139		YK	



NOTES:

- MATERIALS AND FINISHES:
INSULATOR: GLASS-FILLED POLYESTER, UL 94V-0, BLUE COLOR.
- ELECTRICAL CHARACTERISTICS:
INSULATION RESISTANCE: 5 G OHMS PER IEC 512-2, TEST 3a, METHOD A.
WORKING VOLTAGE: 600 VAC.
- WORKING TEMPERATURE: -55°C TO +125°C.
- CONNECTORS ARE ROHS COMPLIANT PER ROHS DIRECTIVE 2002/95/EC OF 27 JAN 2003.
- DIMENSIONS ARE IN INCHES [MILLIMETERS].

		POSITRONIC INDUSTRIES INC. www.connectpositronic.com	
		SCALE: N.T.S.	DRAWN BY: YK
DECIMAL TOL. ± 0.015 [0.38]	PCS SERIES	APPROVED BY:	
TITLE: PLC09F0000/AA			
ANGULAR TOL. ± 5°	DATE: 6-12-06	DRAWING NUMBER: SK7582	REV.: NC