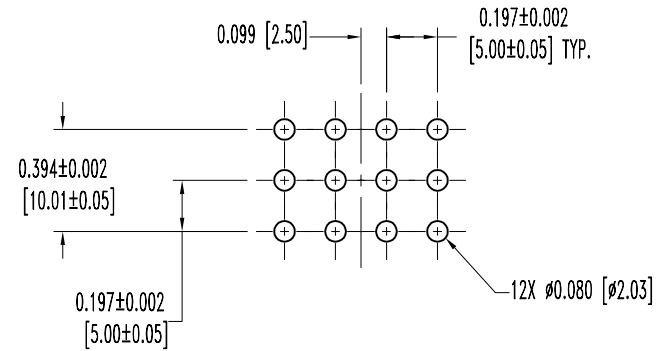
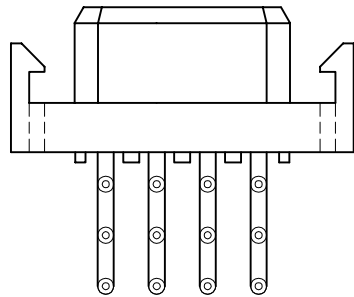
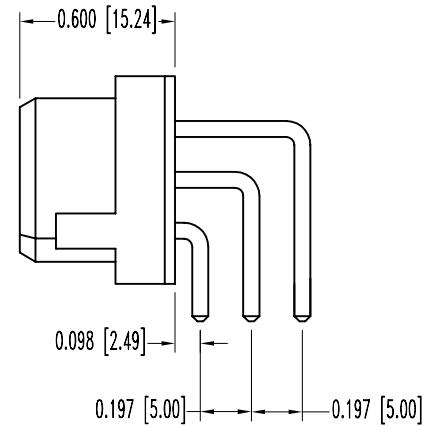
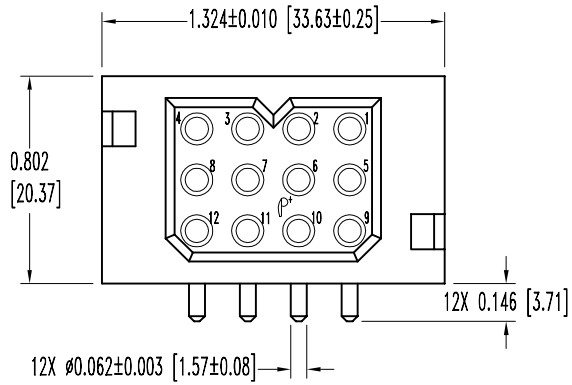


SK4313

POSITRONIC INDUSTRIES BELIEVES THE DATA ON THIS DRAWING TO BE RELIABLE. SINCE THE TECHNICAL INFORMATION IS GIVEN FREE OF CHARGE, THE USER EMPLOYS SUCH INFORMATION AT HIS OWN DISCRETION AND RISK. POSITRONIC INDUSTRIES ASSUMES NO RESPONSIBILITY FOR RESULTS OBTAINED OR DAMAGES INCURRED FROM USE OF SUCH INFORMATION IN WHOLE OR IN PART.

DATE	REV	REVISION RECORD	APP	DR	CK
5-13-02	NC	ECO 19411		ME	



CONTACT HOLE PATTERN

NOTES:

- MATERIALS AND FINISHES:
INSULATOR: GLASS FILLED POLYESTER, UL 94V-0.
CONTACTS: PRECISION MACHINED COPPER ALLOY, 0.000010[0.25μ] GOLD OVER NICKEL.
- ELECTRICAL CHARACTERISTICS:
CONTACT CURRENT RATING: 25 AMPERES CONTINUOUS, DERATED PER IEC 512-3, TEST 5b.
INITIAL CONTACT RESISTANCE: 0.003 OHMS MAX. PER IEC 512-2, TEST 2B.
AFTER 1,000 OPERATIONS: 0.007 OHMS MAX. PER IEC 512-2, TEST 2B.
INSULATION RESISTANCE: 5G OHMS PER IEC 512-2, TEST 3A, METOD A.
- WORKING TEMPERATURE: -55°C TO +125°C
- DIMENSIONS ARE INCHES[MILLIMETERS]

		POSITRONIC INDUSTRIES INC. www.connectpositronic.com	
		POWER CONNECTION SYSTEMS	SCALE N.T.S.
DECIMAL TOL. ± 0.015 [0.38]	TITLE PLC12F400A1		
WP # 4505	DATE 5-13-02	DRAWING NUMBER SK4313	REV. NC
ANGULAR TOL. ± 5°			