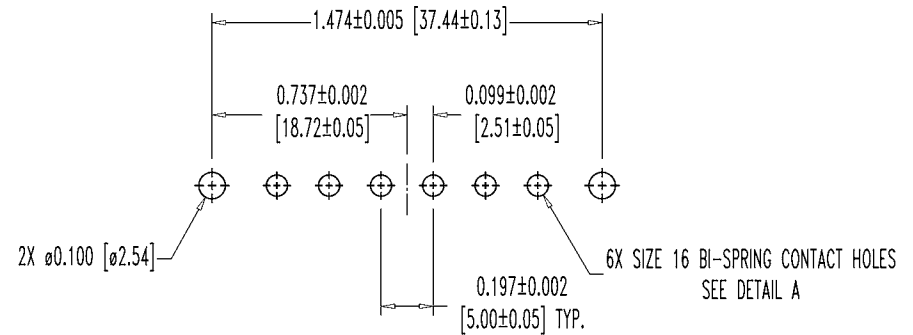
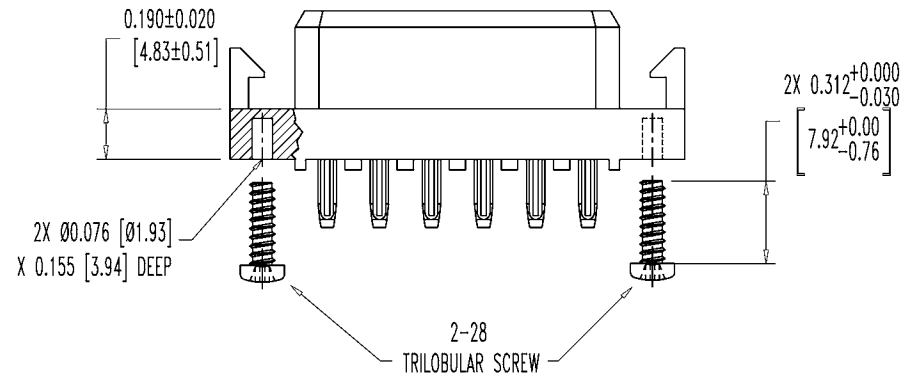
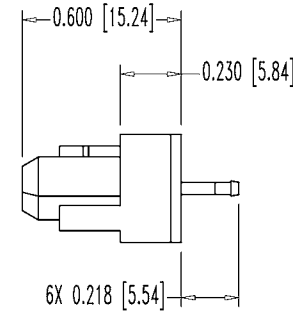
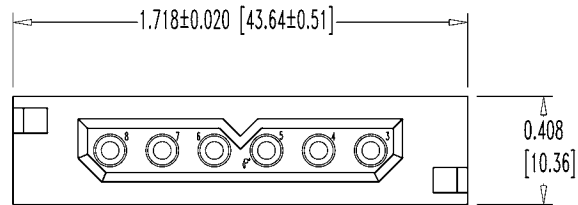


SK5931

POSITRONIC INDUSTRIES BELIEVES THE DATA ON THIS DRAWING TO BE RELIABLE, SINCE THE TECHNICAL INFORMATION IS GIVEN FREE OF CHARGE, THE USER EMPLOYS SUCH INFORMATION AT HIS OWN DISCRETION AND RISK. POSITRONIC INDUSTRIES ASSUMES NO RESPONSIBILITY FOR RESULTS OBTAINED OR DAMAGES INCURRED FROM USE OF SUCH INFORMATION IN WHOLE OR IN PART.

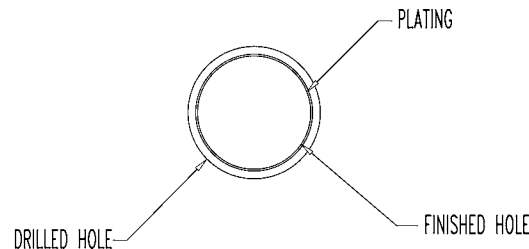
DATE	REV	REVISION RECORD	APP	DR	CK
1-21-05	NC	ECO 23561	RCW	YK	TK
6-24-05	A	ECO 24272	RCW	YK	ME
8-24-05	B	ECO 24455		LO	



CONTACT HOLE PATTERN

NOTES:

- MATERIALS AND FINISHES:
INSULATOR: GLASS FILLED POLYESTER, UL 94V-0, COLOR BLUE.
CONTACTS: PRECISION MACHINED COPPER ALLOY, GOLD FLASH OVER NICKEL PLATE
SCREW: STEEL, ZINC PLATE.
- ELECTRICAL CHARACTERISTICS:
CONTACT CURRENT RATING: 32 AMPERES PER UL 1977.
INITIAL CONTACT RESISTANCE: 0.0016 OHMS MAX. PER IEC 512-2, TEST 2b.
INSULATOR RESISTANCE: 5 G OHMS. PER IEC 512-2, TEST 3a, METOD A.
WORKING VOLTAGE: 600 VAC.
- WORKING TEMPERATURE: -55°C TO +125°C
- DIMENSIONS ARE INCHES [MILLIMETERS]



PRESS-FIT CONTACT HOLE SEE SK6370
DETAIL A

		POSITRONIC INDUSTRIES INC. www.connectpositronic.com	
	PCS SERIES	SCALE N.T.S.	DRAWN BY YK
DECIMAL TOL. ± 0.015 [0.38]	APPROVED BY RCW		
TITLE PLA06F93ST30A1			
ANGULAR TOL. ± 5°	DATE 1-21-05	DRAWING NUMBER SK5931	REV. B