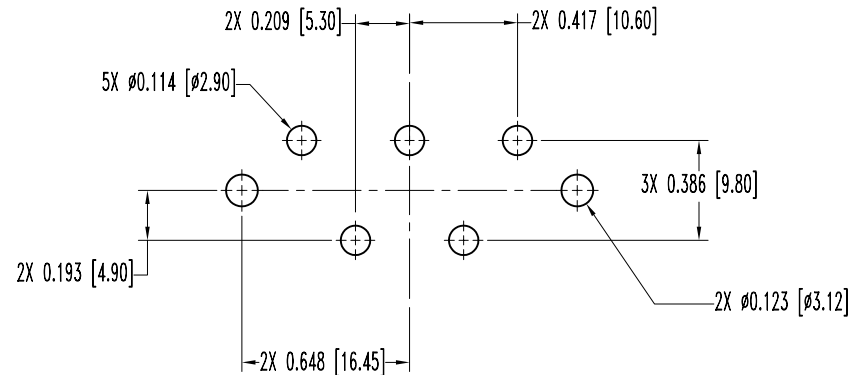
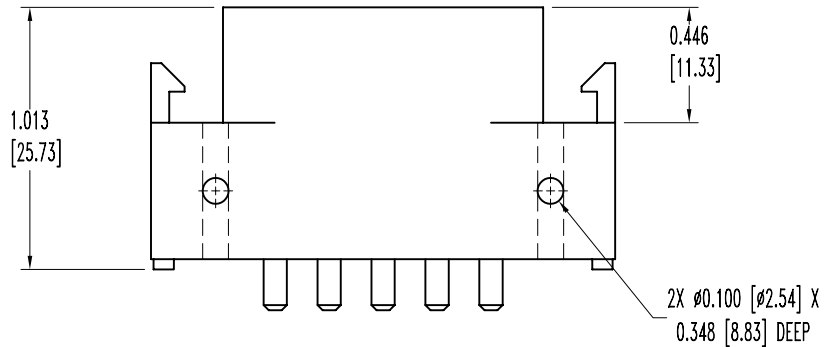
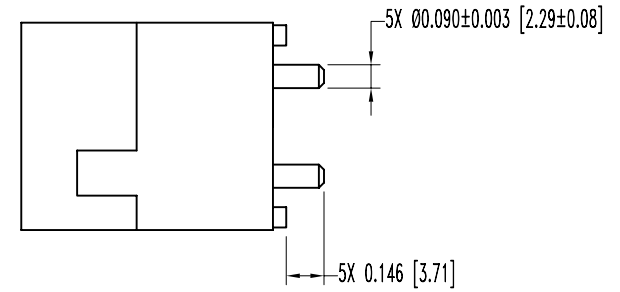
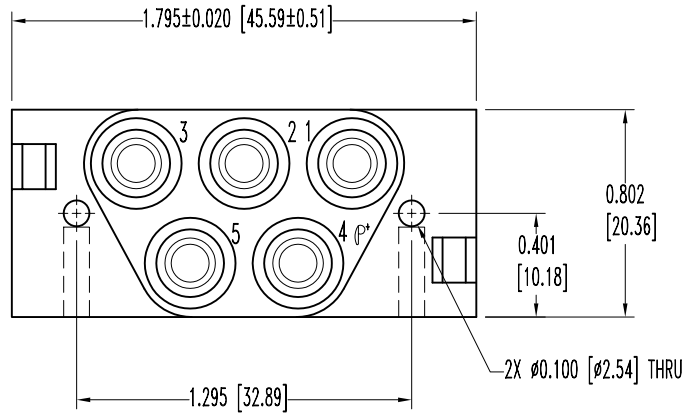


POSITRONIC INDUSTRIES BELIEVES THE DATA ON THIS DRAWING TO BE RELIABLE. SINCE THE TECHNICAL INFORMATION IS GIVEN FREE OF CHARGE, THE USER EMPLOYS SUCH INFORMATION AT HIS OWN DISCRETION AND RISK. POSITRONIC INDUSTRIES ASSUMES NO RESPONSIBILITY FOR RESULTS OBTAINED OR DAMAGES INCURRED FROM USE OF SUCH INFORMATION IN WHOLE OR IN PART.

DATE	REV	REVISION RECORD	APP	DR	CK
12-19-06	NC	ECO 27193		YK	



NOTES:

- MATERIALS AND FINISHES:
INSULATOR: GLASS FILLED POLYESTER, UL 94V-0, COLOR BLUE.
CONTACTS: PRECISION MACHINED COPPER ALLOY, GOLD FLASH OVER NICKEL.
- ELECTRICAL CHARACTERISTICS:
CONTACT CURRENT RATING: 40 AMPHERS CONTINUOUS, DERATED PER IEC 512-3, TEST 5b.
INITIAL CONTACT RESISTANCE: 0.001 OHMS MAX. PER IEC 512-2, TEST 2b.
INSULATION RESISTANCE: 5 G OHMS PER IEC 512-2, TEST 3a.
WORKING VOLTAGE: 600 MINIMUM V r.m.s.
- WORKING TEMPERATURE: -55°C TO +125°C.
- DIMENSIONS ARE IN INCHES [MILLIMETERS].

 POSITRONIC INDUSTRIES INC. www.connectpositronic.com		SCALE		DRAWN BY	
PCS SERIES DECIMAL TOL. ± 0.015 [0.38]		N.T.S.		YK	
TITLE PLS5W5M300A1		APPROVED BY			
DATE 12-19-06		DRAWING NUMBER		REV.	
		SK8226		NC	