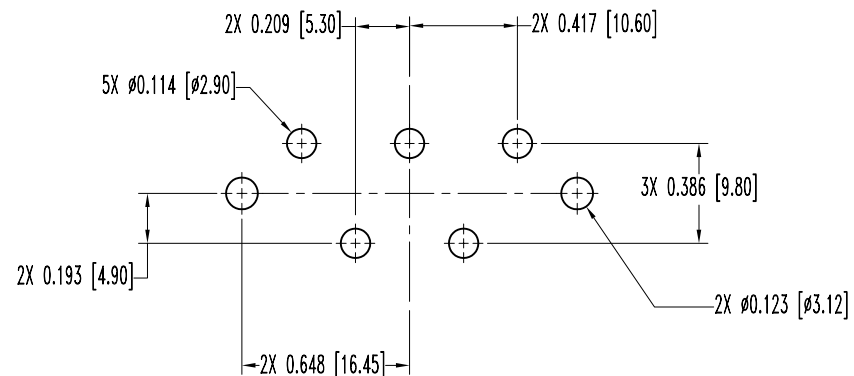
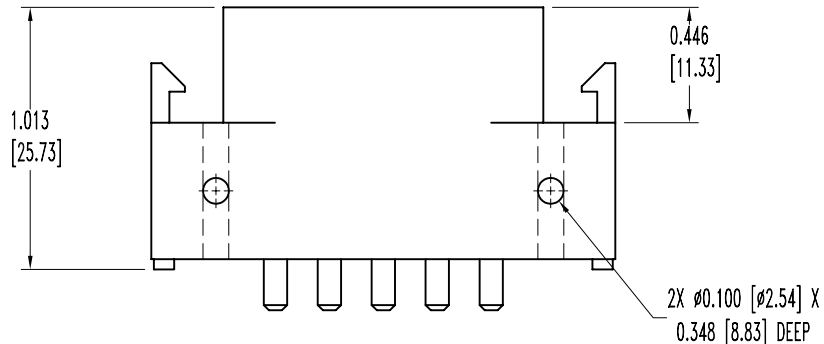
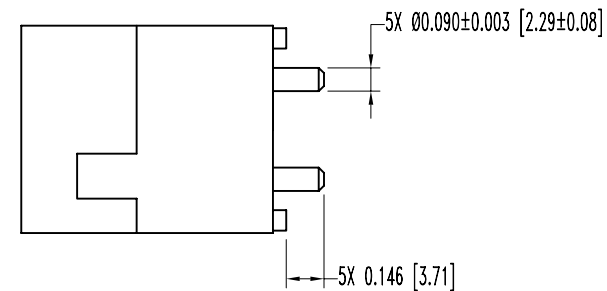
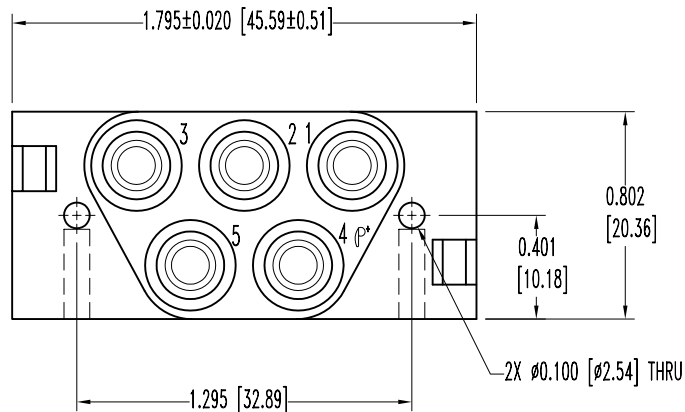


POSITRONIC INDUSTRIES BELIEVES THE DATA ON THIS DRAWING TO BE RELIABLE, SINCE THE TECHNICAL INFORMATION IS GIVEN FREE OF CHARGE. THE USER EMPLOYS SUCH INFORMATION AT HIS OWN DISCRETION AND RISK. POSITRONIC INDUSTRIES ASSUMES NO RESPONSIBILITY FOR RESULTS OBTAINED OR DAMAGES INCURRED FROM USE OF SUCH INFORMATION IN WHOLE OR IN PART.

DATE	REV	REVISION RECORD	APP	DR	CK
1-12-07	NC	ECO 27339		YK	



NOTES:

- MATERIALS AND FINISHES:
 INSULATOR: GLASS FILLED POLYESTER, UL 94V-0, COLOR BLUE.
 CONTACTS: PRECISION MACHINED COPPER ALLOY, 0.000030 [0.76µ] GOLD OVER NICKEL FINISH.
- ELECTRICAL CHARACTERISTICS:
 CONTACT CURRENT RATING: 40 AMPHERS CONTINUOUS, DERATED PER IEC 512-3, TEST 5b.
 INITIAL CONTACT RESISTANCE: 0.001 OHMS MAX. PER IEC 512-2, TEST 2b.
 INSULATION RESISTANCE: 5 G OHMS PER IEC 512-2, TEST 3a.
 WORKING VOLTAGE: 600 MINIMUM V r.m.s.
- WORKING TEMPERATURE: -55°C TO +125°C.
- DIMENSIONS ARE IN INCHES [MILLIMETERS].

		POSITRONIC INDUSTRIES INC. www.connectpositronic.com	
DECIMAL TOL. ± 0.015 [0.38]	PCS SERIES	SCALE N.T.S.	DRAWN BY YK
TITLE PLS5W5M300C1	DATE 1-12-07		DRAWING NUMBER SK8276
ANGULAR TOL. ± 5°	REV. NC		APPROVED BY