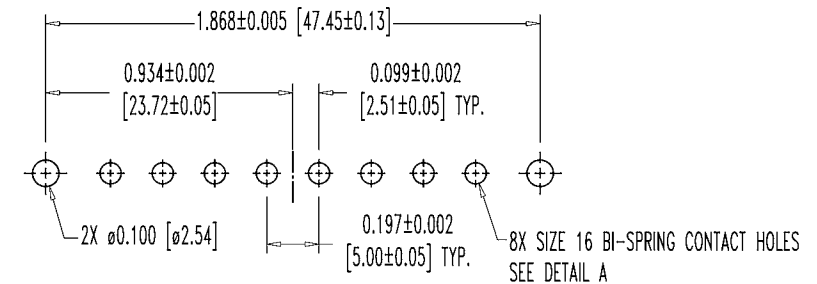
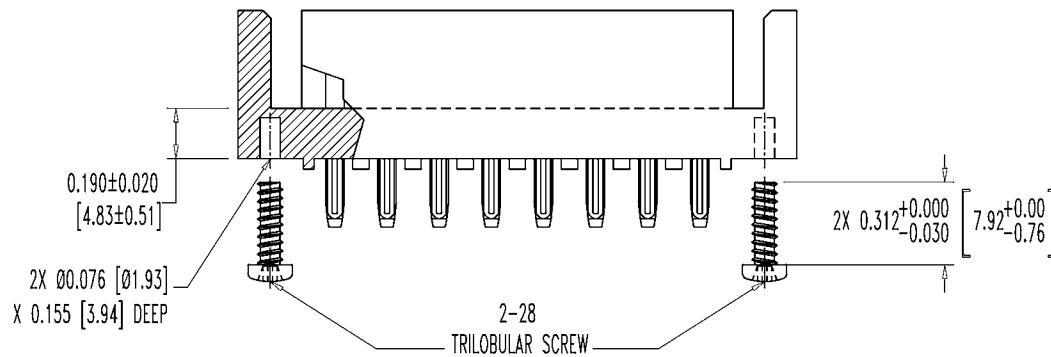
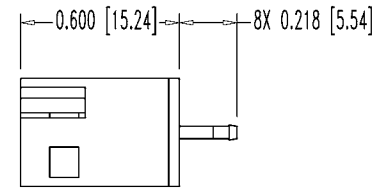
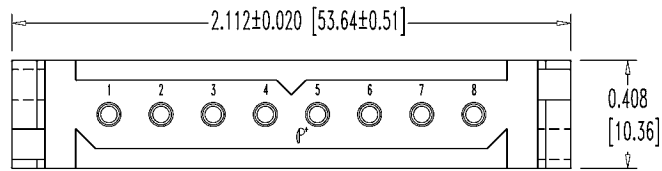


SK5455

POSITRONIC INDUSTRIES BELIEVES THE DATA ON THIS DRAWING TO BE RELIABLE, SINCE THE TECHNICAL INFORMATION IS GIVEN FREE OF CHARGE, THE USER EMPLOYS SUCH INFORMATION AT HIS OWN DISCRETION AND RISK. POSITRONIC INDUSTRIES ASSUMES NO RESPONSIBILITY FOR RESULTS OBTAINED OR DAMAGES INCURRED FROM USE OF SUCH INFORMATION IN WHOLE OR IN PART.

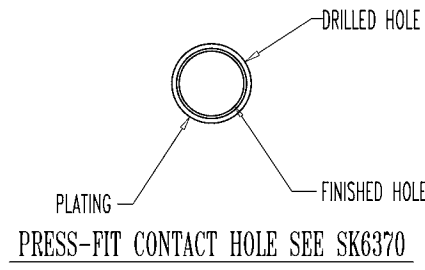
DATE	REV	REVISION RECORD	APP	DR	CK
5-18-04	NC	ECO 22441	RCW	ME	COLE
6-25-04	A	ECO 22603	RCW	ME	COLE
8-08-05	B	ECO 24475		LO	



CONTACT HOLE PATTERN

NOTES:

- MATERIALS AND FINISHES:
INSULATOR: GLASS FILLED POLYESTER, UL 94V-0, COLOR BLUE.
CONTACTS: PRECISION MACHINED COPPER ALLOY, GOLD FLASH OVER NICKEL PLATE
SCREW: STEEL, ZINC PLATE.
- ELECTRICAL CHARACTERISTICS:
CONTACT CURRENT RATING: 26 AMPERES PER UL 1977.
INITIAL CONTACT RESISTANCE: 0.0016 OHMS MAX. PER IEC 512-2, TEST 2b.
INSULATOR RESISTANCE: 5 G OHMS. PER IEC 512-2, TEST 3a, METOD A.
WORKING VOLTAGE: 600 VAC.
- WORKING TEMPERATURE: -55°C TO +125°C
- DIMENSIONS ARE INCHES [MILLIMETERS]



DETAIL A

		POSITRONIC INDUSTRIES INC. www.connectpositronic.com	
		DECIMAL TOL. ± 0.015 [0.38]	PCS SERIES
TITLE PLA08M93ST30A1		APPROVED BY RCW	
ANGULAR TOL. $\pm 5^\circ$	DATE 5-18-04	DRAWING NUMBER SK5455	REV. B