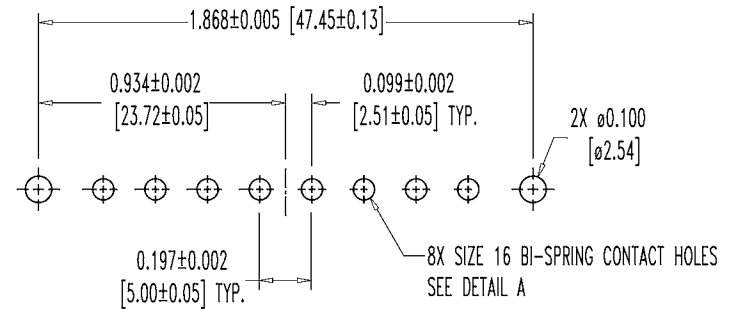
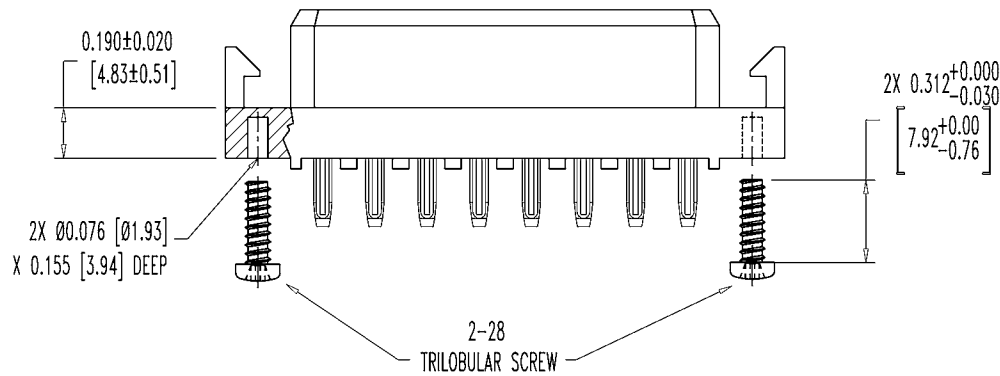
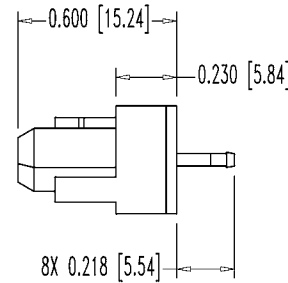
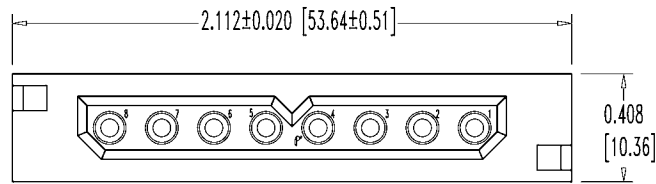


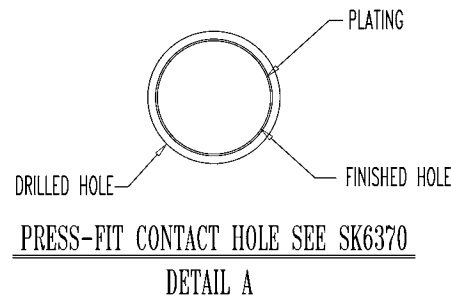
SK5472

POSITRONIC INDUSTRIES BELIEVES THE DATA ON THIS DRAWING TO BE RELIABLE, SINCE THE TECHNICAL INFORMATION IS GIVEN FREE OF CHARGE, THE USER EMPLOYS SUCH INFORMATION AT HIS OWN DISCRETION AND RISK. POSITRONIC INDUSTRIES ASSUMES NO RESPONSIBILITY FOR RESULTS OBTAINED OR DAMAGES INCURRED FROM USE OF SUCH INFORMATION IN WHOLE OR IN PART.

DATE	REV	REVISION RECORD	APP	DR	CK
5-20-04	NC	ECO 22449	RCW	ME	COLE
6-2-05	A	ECO 24253	RCW	ME	YK
8-09-05	B	ECO 24482		LO	



CONTACT HOLE PATTERN



NOTES:

- MATERIALS AND FINISHES:  
 INSULATOR: GLASS FILLED POLYESTER, UL 94V-0, COLOR BLUE.  
 CONTACTS: PRECISION MACHINED COPPER ALLOY, GOLD FLASH OVER NICKEL.  
 MOUNTING SCREWS: STEEL, ZINC PLATE.
- ELECTRICAL CHARACTERISTICS:  
 CONTACT CURRENT RATING: 35 AMPERES PER UL 1977.  
 INITIAL CONTACT RESISTANCE: 0.0007 OHMS MAX. PER IEC 512-2, TEST 2b.  
 INSULATOR RESISTANCE: 5 G OHMS. PER IEC 512-2, TEST 3a, METOD A.  
 WORKING VOLTAGE: 600 VAC.
- WORKING TEMPERATURE: -55°C TO +125°C
- DIMENSIONS ARE INCHES [MILLIMETERS]

	<b>POSITRONIC INDUSTRIES INC.</b> www.connectpositronic.com		SCALE	DRAWN BY	M. ENEA
	PCS SERIES		N.T.S.	APPROVED BY	RCW
DECIMAL TOL. ± 0.015 [0.38]	TITLE <b>PLAH08F93ST30A1</b>				
ANGULAR TOL. ± 5°	DATE 5-20-04	DRAWING NUMBER SK5472	REV. B		