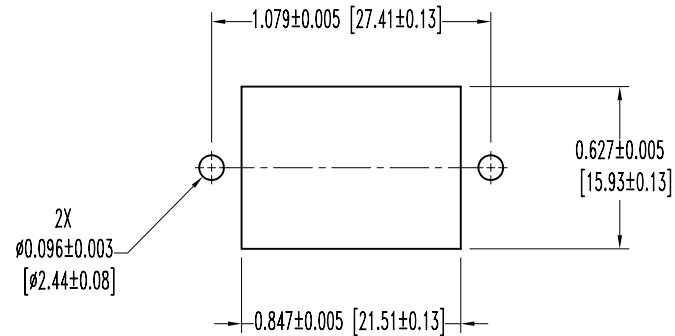
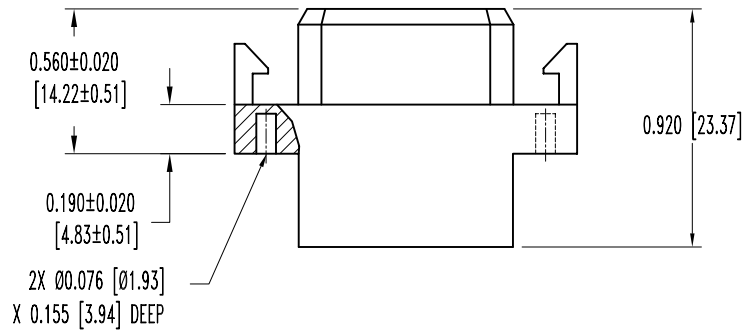
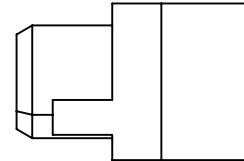
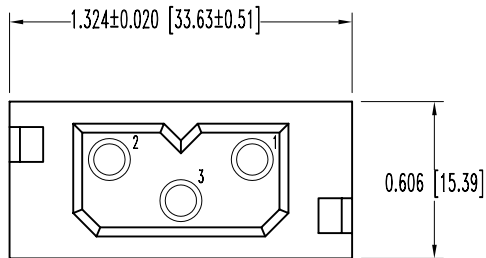


SK3569

POSITRONIC INDUSTRIES BELIEVES THE DATA ON THIS DRAWING TO BE RELIABLE. SINCE THE TECHNICAL INFORMATION IS GIVEN FREE OF CHARGE, THE USER EMPLOYS SUCH INFORMATION AT HIS OWN DISCRETION AND RISK. POSITRONIC INDUSTRIES ASSUMES NO RESPONSIBILITY FOR RESULTS OBTAINED OR DAMAGES INCURRED FROM USE OF SUCH INFORMATION IN WHOLE OR IN PART.

DATE	REV	REVISION RECORD	APP	DR	CK
4-14-05	NC	ECO 23931		YK	



PANEL CUTOUT

NOTES:

- MATERIALS AND FINISHES:
INSULATOR: GLASS-FILLED POLYESTER, UL 94V-0, BLUE COLOR.
- ELECTRICAL CHARACTERISTICS:
INSULATION RESISTANCE: 5 G OHMS PER IEC 512-2, TEST 3a.
WORKING VOLTAGE: 1,250 V r.m.s.
- WORKING TEMPERATURE: -55°C TO +125°C.
- DIMENSIONS ARE IN INCHES [MILLIMETERS].

 POSITRONIC INDUSTRIES INC. www.connectpositronic.com		SCALE	DRAWN BY
		N.T.S.	Y. KELLEYBREW
DECIMAL TOL.	PCS SERIES	APPROVED BY	
± 0.015 [0.38]		RCW	
TITLE			
PLB3W3F1000			
DATE	DRAWING NUMBER	REV.	
1-23-01	SK3569	A	