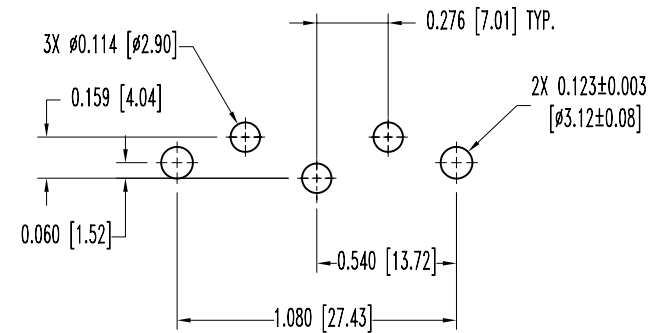
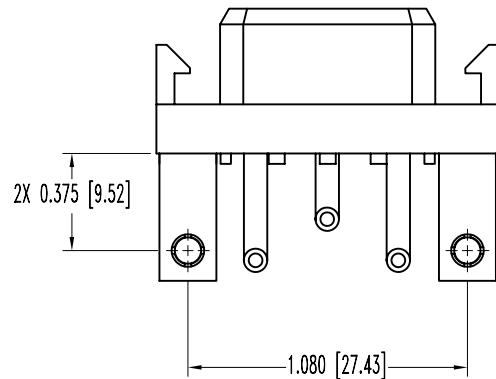
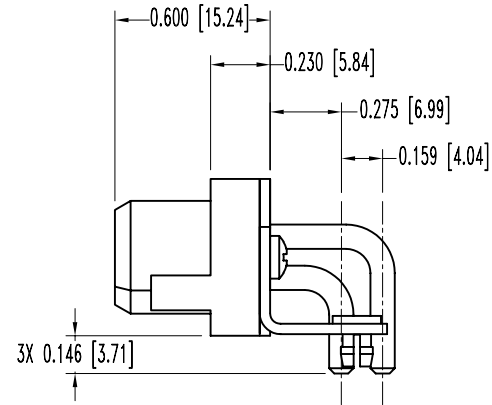
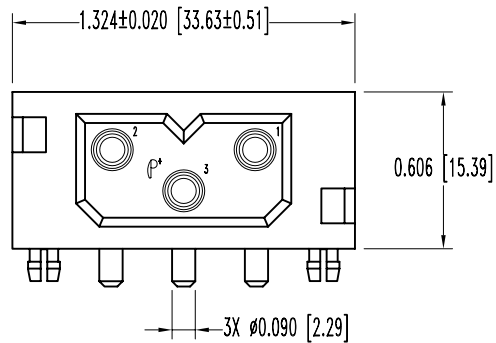


SK5199

POSITRONIC INDUSTRIES BELIEVES THE DATA ON THIS DRAWING TO BE RELIABLE. SINCE THE TECHNICAL INFORMATION IS GIVEN FREE OF CHARGE, THE USER EMPLOYS SUCH INFORMATION AT HIS OWN DISCRETION AND RISK. POSITRONIC INDUSTRIES ASSUMES NO RESPONSIBILITY FOR RESULTS OBTAINED OR DAMAGES INCURRED FROM USE OF SUCH INFORMATION IN WHOLE OR IN PART.

| DATE | REV | REVISION RECORD | APP | DR | CK |
|---------|-----|-----------------|-----|----|------|
| 11-7-03 | NC | ECO 21664 | RCW | YK | COLE |
| 4-14-05 | A | ECO 23955 | | YK | |
| | | | | | |
| | | | | | |



CONTACT HOLE PATTERN

NOTES:

1. MATERIALS AND FINISHES:

- INSULATOR: GLASS FILLED POLYESTER, UL 94V-0, COLOR BLUE.
- CONTACTS: PRECISION MACHINED COPPER ALLOY WITH GOLD FLASH OVER NICKEL PLATE.
- MOUNTING BRACKETS: BRASS, TIN PLATE.
- PUSH FASTENERS: SPRING TEMPERED COPPER ALLOY, TIN PLATE.
- MOUNTING SCREWS: STEEL, ZINC PLATE.

2. ELECTRICAL CHARACTERISTICS:

- CONTACT CURRENT RATING: 40 AMPERES CONTINUOUS PER IEC 512-3, TEST 5b
- INITIAL CONTACT RESISTANCE: 0.001 OHMS MAXIMUM, PER IEC 512-2, TEST 2b.
- INSULATOR RESISTANCE: 5 G OHMS PER IEC 512-2, TEST 3a.
- WORKING VOLTAGE: 1,250 V. r.m.s.

3. TEMPERATURE RANGE: -55°C TO 125°C.

4. DIMENSIONS ARE IN INCHES [MILLIMETERS].

| | | | | |
|--------------------------------|--|--|---------------------------------|------------------|
| | | POSITRONIC INDUSTRIES INC. www.connectpositronic.com | | |
| | | PCS SERIES | SCALE N.T.S. | DRAWN BY YK |
| DECIMAL TOL. ± 0.015 [0.38] | | TITLE PLB3W3F4BN0A1 | | |
| ANGULAR TOL. ± 5° | | DATE 11-7-03 | DRAWING NUMBER SK5199 | REV. A |