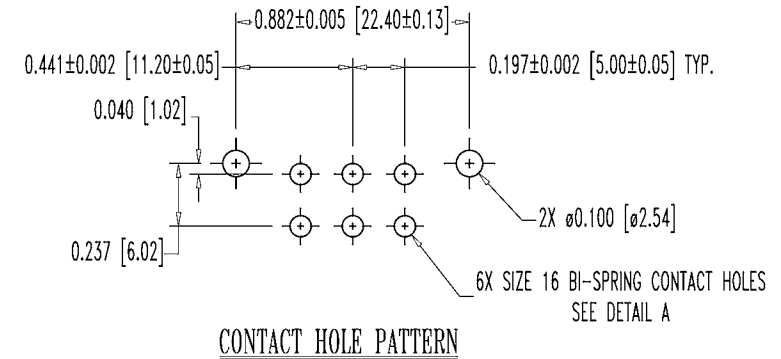
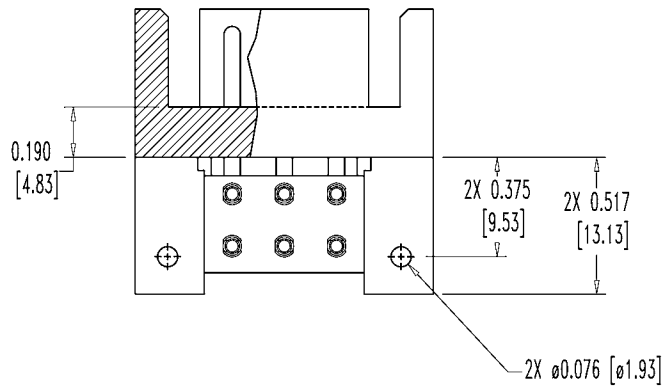
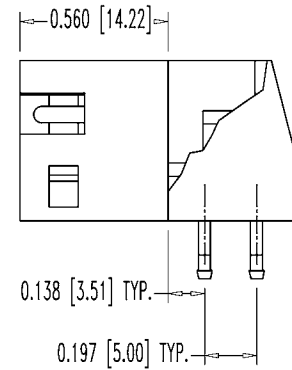
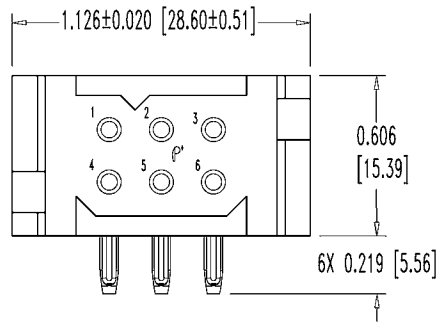


SK5564

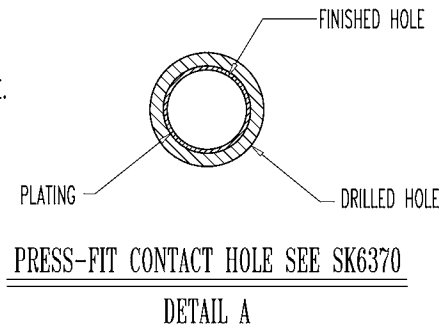
POSITRONIC INDUSTRIES BELIEVES THE DATA ON THIS DRAWING TO BE RELIABLE, SINCE THE TECHNICAL INFORMATION IS GIVEN FREE OF CHARGE, THE USER EMPLOYS SUCH INFORMATION AT HIS OWN DISCRETION AND RISK. POSITRONIC INDUSTRIES ASSUMES NO RESPONSIBILITY FOR RESULTS OBTAINED OR DAMAGES INCURRED FROM USE OF SUCH INFORMATION IN WHOLE OR IN PART.

DATE	REV	REVISION RECORD	APP	DR	CK
7-30-04	NC	ECO 22809	RCW	ME	TK
8-13-04	A	ECO 22985	TK	YK	TK
8-24-05	B	ECO 24545		LO	



NOTES:

- MATERIALS AND FINISHES:**  
 INSULATOR: GLASS FILLED POLYESTER, UL 94V-0, COLOR BLUE.  
 CONTACTS: PRECISION MACHINED HIGH TENSILE COPPER ALLOY, GOLD FLASH OVER NICKEL PLATE.  
 MOUNTING BRACKET: GLASS FILLED POLYESTER, UL 94V-0, COLOR BLUE.  
 SCREWS: STEEL, ZINC PLATED.
- ELECTRICAL CHARACTERISTICS:**  
 CONTACT CURRENT RATING: 25 AMPS CONTINUOUS, PER UL 1977.  
 INITIAL CONTACT RESISTANCE: 0.0016 OHMS MAX. PER IEC 512-2, TEST 2b.  
 INSULATION RESISTANCE: 5 G OHMS PER IEC 512-2, TEST 3a, METHOD A.  
 WORKING VOLTAGE: 600 VAC.
- WORKING TEMPERATURE:** -55°C TO +125°C.
- DIMENSIONS ARE IN INCHES [MILLIMETERS].**



	<b>POSITRONIC INDUSTRIES INC.</b> www.connectpositronic.com	
	DECIMAL TOL. ±0.015 [0.38]	SCALE N.T.S.
DRAWN BY M. ENEA	APPROVED BY RCW	TITLE PCS SERIES
DATE 7-30-04		DRAWING NUMBER SK5564
REV. B		PLB06M63B30A1