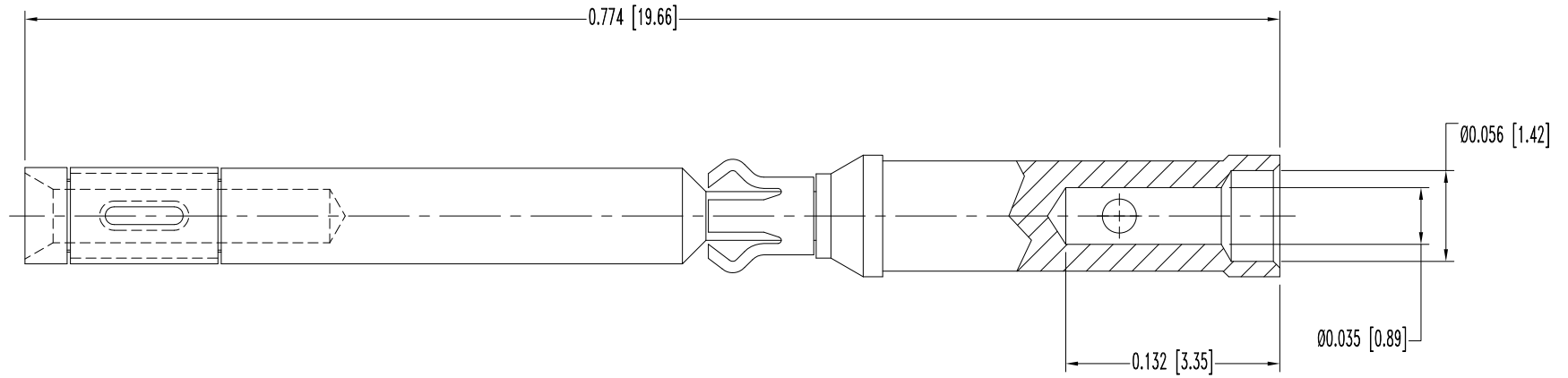


SK9398

THIS DRAWING CONTAINS INFORMATION PROPRIETARY TO POSITRONIC AND ITS SUBSIDIARIES. POSITRONIC BELIEVES THE DATA ON THIS DRAWING TO BE RELIABLE, SINCE THE TECHNICAL INFORMATION IS GIVEN FREE OF CHARGE, THE USER EMPLOYS SUCH INFORMATION AT HIS OWN DISCRETION AND RISK. POSITRONIC ASSUMES NO RESPONSIBILITY FOR RESULTS OBTAINED OR DAMAGES INCURRED FROM USE OF SUCH INFORMATION IN WHOLE OR IN PART.

DATE	REV	REVISION RECORD	APP	DR	CK
4-28-08	NC	ECO 29335	RCW	YK	TK



NOTES:

- MATERIALS AND FINISHES:  
CONTACT: CHROMEL.  
SPRING CLIP: BERYLLIUM COPPER, GOLD FLASH OVER NICKEL PLATE.  
RETAINER: BERYLLIUM COPPER, GOLD FLASH OVER NICKEL PLATE.
- CONTACTS ARE ROHS COMPLIANT PER ROHS DIRECTIVE 2002/95/EC OF 27 JAN 2003.
- DIMENSIONS ARE IN INCHES [MILLIMETERS].

 <b>POSITRONIC INDUSTRIES INC.</b> www.connectpositronic.com		FSCM 28198	
 DECIMAL TOL. $\pm 0.015 [0.38]$	<b>FRONT RUNNER SERIES</b>	SCALE N.T.S.	DRAWN BY <b>YK</b> APPROVED BY <b>R WILLIAMS</b>
TITLE <b>FC422N6CH/AA</b>			
ANGULAR TOL. $\pm 5^\circ$	DATE <b>4-28-08</b>	DRAWING NUMBER <b>SK9398</b>	REV. <b>NC</b>