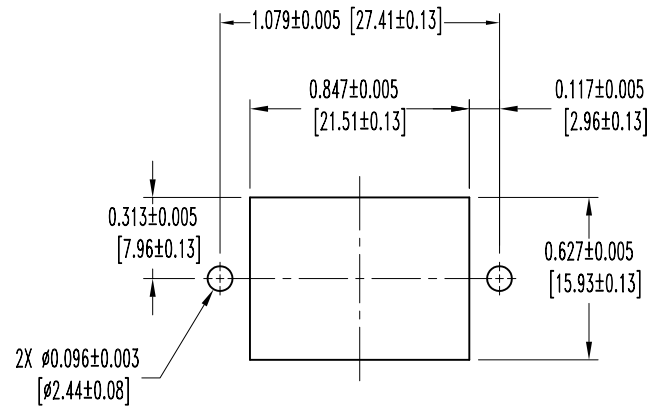
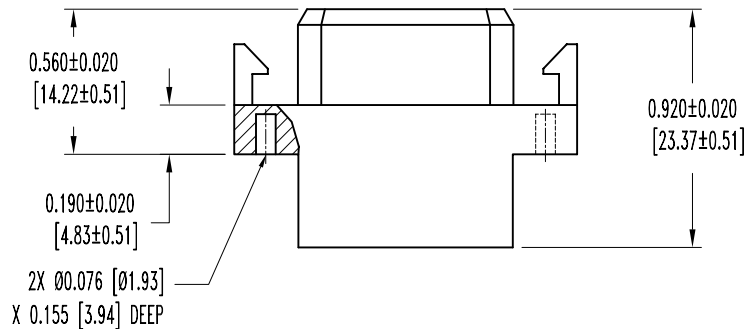
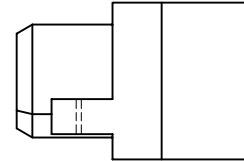
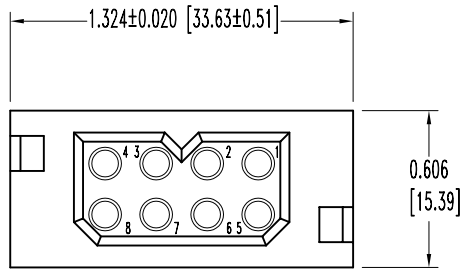


SK3237

POSITRONIC INDUSTRIES BELIEVES THE DATA ON THIS DRAWING TO BE RELIABLE. SINCE THE TECHNICAL INFORMATION IS GIVEN FREE OF CHARGE, THE USER EMPLOYS SUCH INFORMATION AT HIS OWN DISCRETION AND RISK. POSITRONIC INDUSTRIES ASSUMES NO RESPONSIBILITY FOR RESULTS OBTAINED OR DAMAGES INCURRED FROM USE OF SUCH INFORMATION IN WHOLE OR IN PART.

DATE	REV	REVISION RECORD	APP	DR	CK
11-11-99	NC	ECO 15726	RCW	ME	COLE
12-20-04	A	ECO 23435		YK	



PANEL CUTOUT

NOTES:

- MATERIALS AND FINISHES:
INSULATOR: GLASS FILLED POLYESTER, UL 94V-0, COLOR BLUE.
- ELECTRICAL CHARACTERISTICS:
INSULATION RESISTANCE: 5 G OHMS PER IEC 512-2, TEST 3a, METHOD A.
WORKING VOLTAGE: 600 VAC.
- WORKING TEMPERATURE: -55°C TO +125°C.
- DIMENSIONS ARE IN INCHES [MILLIMETERS].

		POSITRONIC INDUSTRIES INC. www.connectpositronic.com	
	SCALE N.T.S.	DRAWN BY M. ENEA	
	DECIMAL TOL. ±0.015 (0,30)	APPROVED BY RCW	
TITLE PLB08F1000			
ANGULAR TOL. ±5°	DATE 11-11-99	DRAWING NUMBER SK3237	REV. A