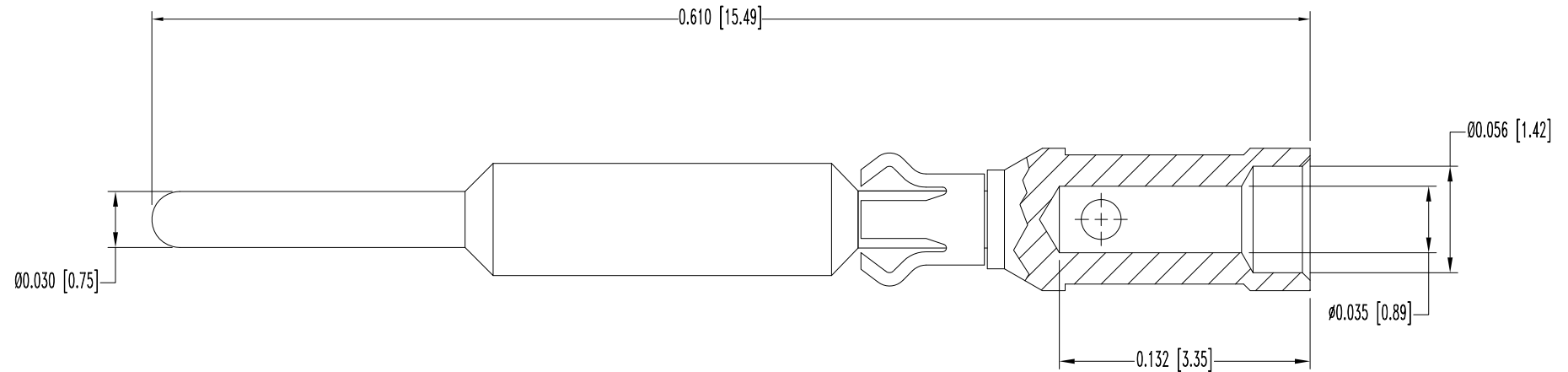


SK9396



POSITRONIC INDUSTRIES BELIEVES THE DATA ON THIS DRAWING TO BE RELIABLE. SINCE THE TECHNICAL INFORMATION IS GIVEN FREE OF CHARGE, THE USER EMPLOYS SUCH INFORMATION AT HIS OWN DISCRETION AND RISK. POSITRONIC INDUSTRIES ASSUMES NO RESPONSIBILITY FOR RESULTS OBTAINED OR DAMAGES INCURRED FROM USE OF SUCH INFORMATION IN WHOLE OR IN PART.

DATE	REV	REVISION RECORD	APP	DR	CK
4-28-08	NC	ECO 29335	RCW	YK	TK



NOTES:

- MATERIAL AND FINISHES:
CONTACT: ALUMEL.
RETAINING CLIP: BERYLLIUM COPPER, GOLD FLASH OVER NICKEL PLATE.
- CONTACTS ARE ROHS COMPLIANT PER ROHS DIRECTIVE 2202/95/EC OF 27 JAN 2003.
- DIMENSIONS ARE IN INCHES [MILLIMETERS].

 POSITRONIC INDUSTRIES INC. www.connectpositronic.com	
 DECIMAL TOL. ± 0.015 [0.38]	FRONT RUNNER SERIES SCALE: N.T.S. DRAWN BY: YK APPROVED BY: R. WILLIAMS
ANGULAR TOL. $\pm 5^\circ$	TITLE: MC422NAL/AA DATE: 4-28-08 DRAWING NUMBER: SK9396 REV.: NC