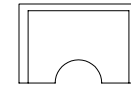
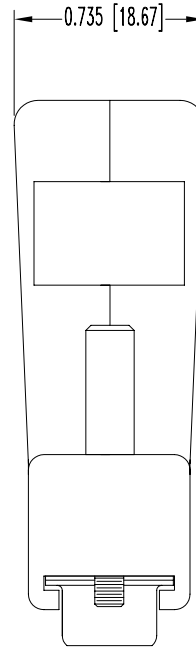
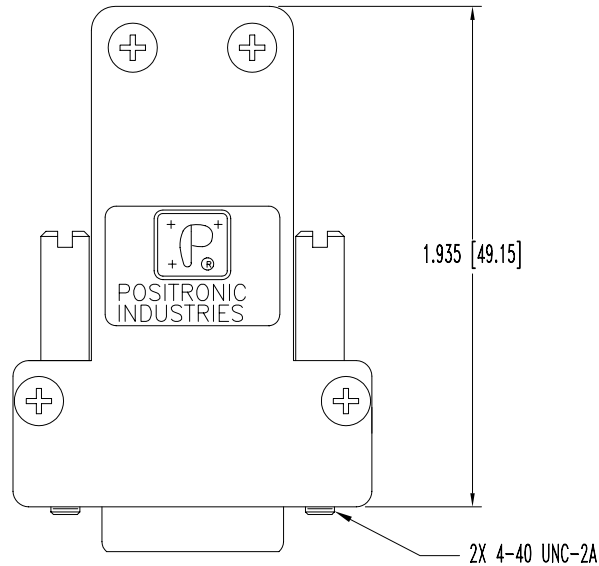


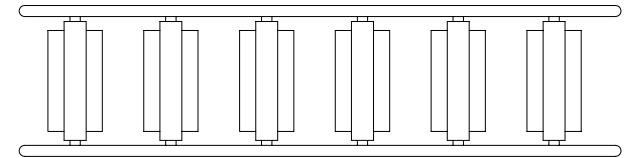
SK9265

POSITRONIC INDUSTRIES BELIEVES THE DATA ON THIS DRAWING TO BE RELIABLE. SINCE THE TECHNICAL INFORMATION IS GIVEN FREE OF CHARGE, THE USER EMPLOYS SUCH INFORMATION AT HIS OWN DISCRETION AND RISK. POSITRONIC INDUSTRIES ASSUMES NO RESPONSIBILITY FOR RESULTS OBTAINED OR DAMAGES INCURRED FROM USE OF SUCH INFORMATION IN WHOLE OR IN PART.

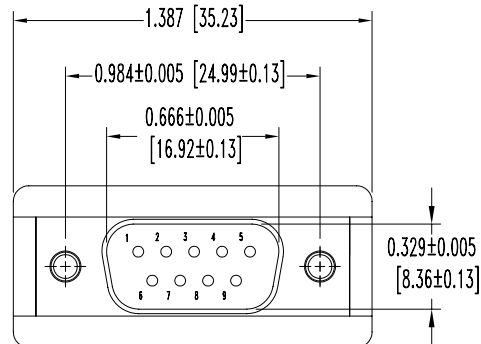
DATE	REV	REVISION RECORD	APP	DR	CK
2-21-08	NC	ECO 29040	RCW	YK	COLE



TYPICAL INSERT



INSERT TREE ASSEMBLY



NOTES:

- MATERIAL & FINISHES:  
 INSULATOR: GLASS FILLED NYLON RESIN, UL 94V-0, BLACK COLOR.  
 SHELLS: STEEL, ZINC PLATE WITH CHROMATE SEAL.  
 HOOD AND INSERT: COMPOSITE, CONDUCTIVE VOLUME RESISTIVITY (1.0 OHM-CM MAX.), UL94V-0.  
 ATTENUATION: 40+ DECIBELS.  
 JACKSCREWS: STEEL, ZINC PLATE WITH CHROMATE SEAL.  
 SCREWS: STAINLESS STEEL, PASSIVATED.
- ELECTRICAL CHARACTERISTICS:  
 INSULATION RESISTANCE: 5 G OHMS.
- TEMPERATURE RANGE: -55°C TO +125°C.
- DIMENSIONS ARE IN INCHES [MILLIMETERS].

 <b>POSITRONIC INDUSTRIES INC.</b> www.connectpositronic.com		SCALE	DRAWN BY
		N.T.S.	YK
DECIMAL TOL.	SD SERIES	APPROVED BY	
±0.015 [0.38]	TITLE	SD9M00Z00	
ANGULAR TOL.	DATE	DRAWING NUMBER	REV.
±5°	2-21-08	SK9265	NC