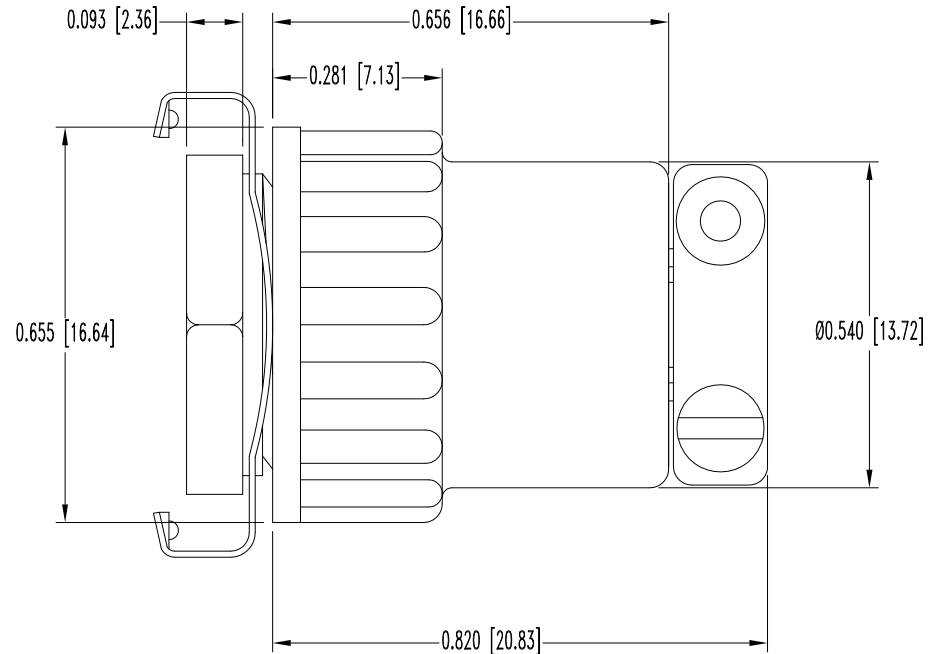
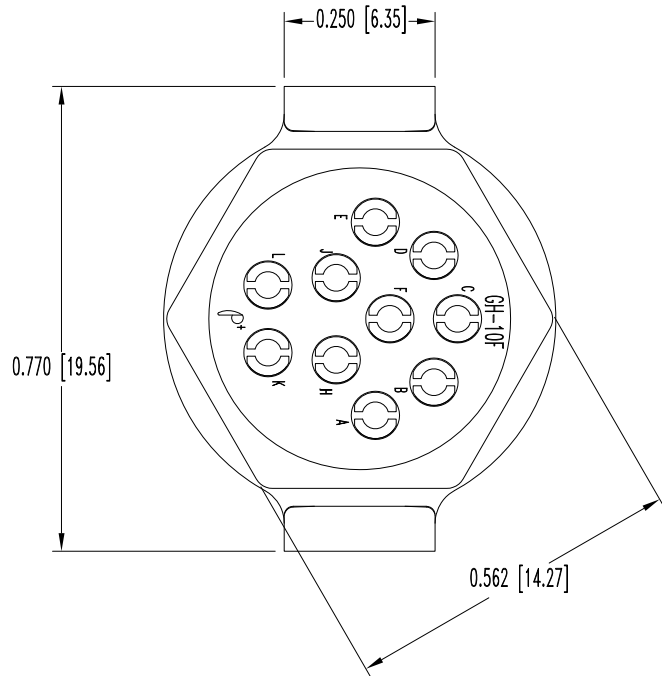


SK9722

THIS DRAWING CONTAINS INFORMATION PROPRIETARY TO POSITRONIC AND ITS SUBSIDIARIES. POSITRONIC BELIEVES THE DATA ON THIS DRAWING TO BE RELIABLE. SINCE THE TECHNICAL INFORMATION IS GIVEN FREE OF CHARGE, THE USER EMPLOYS SUCH INFORMATION AT HIS OWN DISCRETION AND RISK. POSITRONIC ASSUMES NO RESPONSIBILITY FOR RESULTS OBTAINED OR DAMAGES INCURRED FROM USE OF SUCH INFORMATION IN WHOLE OR IN PART.

DATE	REV	REVISION RECORD	APP	DR	CK
9-17-08	NC	ECO 29987	RCW	YK	COLE



NOTES:

- MATERIAL:
  - INSULATOR: GLASS FILLED DAP PER ASTM-D-5948, TYPE SDG-F, COLOR GREY.
  - CONTACTS: COPPER ALLOY, GOLD FLASH OVER NICKEL FINISH.
  - HOOD: GLASS FILLED DAP PER ASTM-D-5948, TYPE SDG-F.
  - LOCKING SPRING: COPPER ALLOY, ZINC PLATE, WITH CHROMATE SEAL.
  - SCREW: BRASS, ZINC PLATE WITH CHROMATE SEAL.
  - CABLE CLAMP: ALUMINUM ALLOY, YELLOW ANODIZE.
- ELECTRICAL CHARACTERISTICS:
  - CONTACT CURRENT RATING: 7.5 AMPS, MAXIMUM.
  - INITIAL CONTACT RESISTANCE: 0.010 OHMS, MAXIMUM.
  - INSULATION RESISTANCE: 5 G OHMS.
  - WORKING VOLTAGE: 300 VAC (rms).
- WORKING TEMPERATURE: -55°C TO +125°C.
- DIMENSIONS ARE IN INCHES [MILLIMETERS].

	<b>POSITRONIC INDUSTRIES INC.</b> www.connectpositronic.com		FSCM 28198
	DECIMAL TOL. ± 0.015 [0.13]	GH SERIES	SCALE N.T.S.
ANGULAR TOL. ± 5°	DATE 9-17-08	DRAWING NUMBER SK9722	APPROVED BY R. WILLIAMS
TITLE <b>GH10FSCLSH19C</b>			
			REV. NC