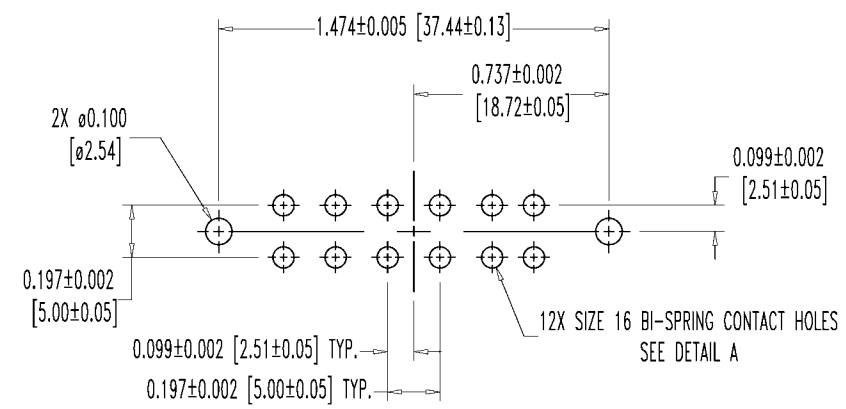
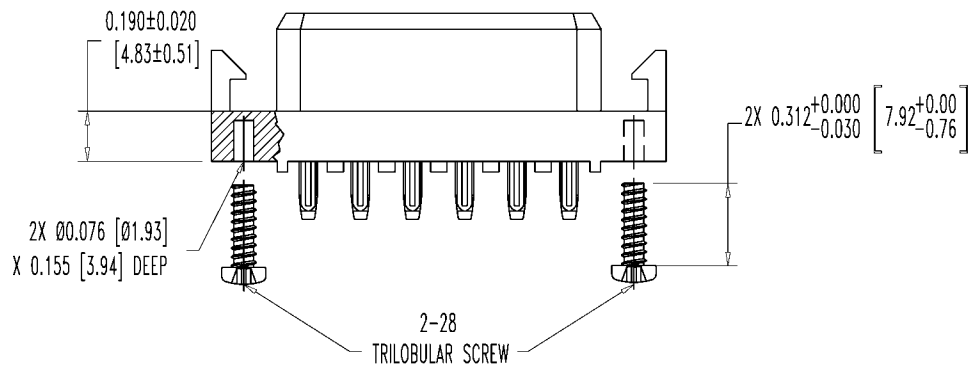
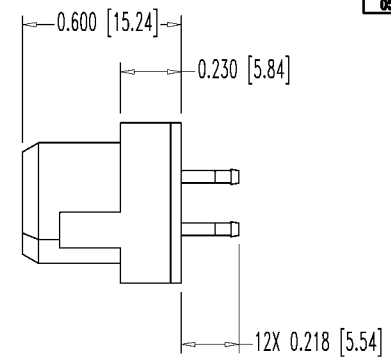
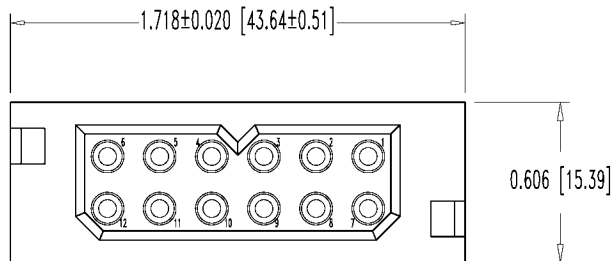


SK2951

POSITRONIC INDUSTRIES BELIEVES THE DATA ON THIS DRAWING TO BE RELIABLE, SINCE THE TECHNICAL INFORMATION IS GIVEN FREE OF CHARGE, THE USER EMPLOYS SUCH INFORMATION AT HIS OWN DISCRETION AND RISK. POSITRONIC INDUSTRIES ASSUMES NO RESPONSIBILITY FOR RESULTS OBTAINED OR DAMAGES INCURRED FROM USE OF SUCH INFORMATION IN WHOLE OR IN PART.

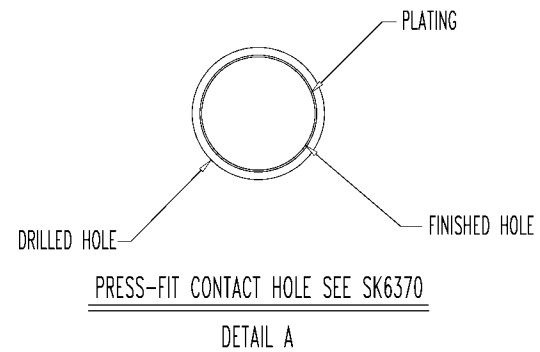
DATE	REV	REVISION RECORD	APP	DR	CK
5-14-01	A	ECO 17734	RCW	ME	COLE
4-14-04	B	ECO 22292	RCW	YK	COLE
6-23-05	C	ECO 24265	RCW	YK	ME
8-24-05	D	ECO 24547		LO	



CONTACT HOLE PATTERN

NOTES:

- MATERIALS AND FINISHES:
 INSULATOR: GLASS FILLED POLYESTER. UL 94V-0, COLOR BLUE.
 CONTACTS: PRECISION MACHINED COPPER ALLOY, GOLD FLASH OVER NICKEL.
 MOUNTING SCREWS: STEEL, ZINC PLATE.
- ELECTRICAL CHARACTERISTICS:
 CONTACT CURRENT RATING: 25 AMPS PER UL 1977.
 INITIAL CONTACT RESISTANCE: 0.0016 OHMS MAX. PER IEC 512-2, TEST 2b.
 INSULATION RESISTANCE: 5 G OHMS PER IEC 512-2, TEST 3a, METHOD A.
 WORKING VOLTAGE: 600 VAC.
- WORKING TEMPERATURE: -55°C TO +125°C.
- DIMENSIONS ARE IN INCHES [MILLIMETERS].



	POSITRONIC INDUSTRIES INC. www.connectpositronic.com	
	DECIMAL TOL. ± 0.015[0.38]	SCALE N.T.S.
ANGULAR TOL. ± 5°	PCS SERIES TITLE PLB12F93ST30A1	DRAWN BY T MAYER APPROVED BY RCW
DATE 1-16-98	DRAWING NUMBER SK2951	REV. D