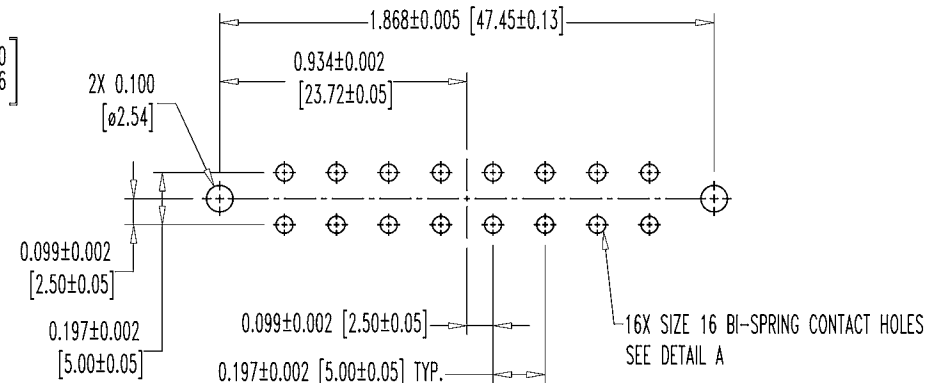
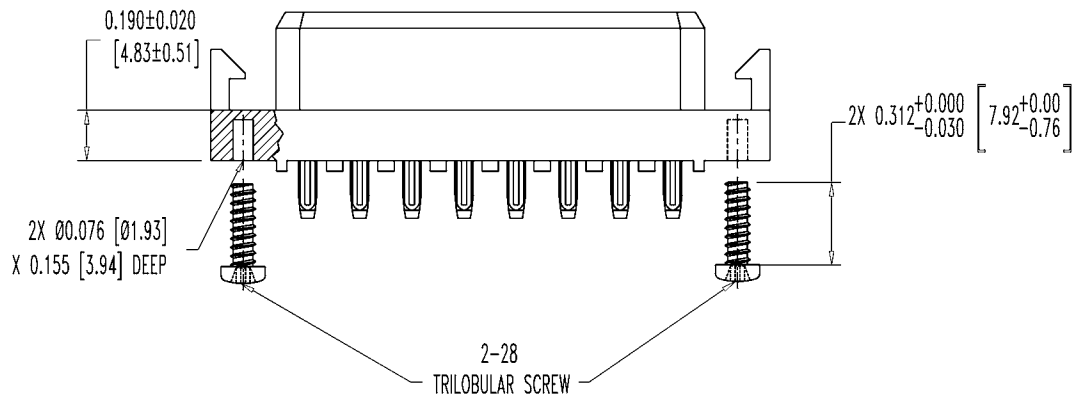
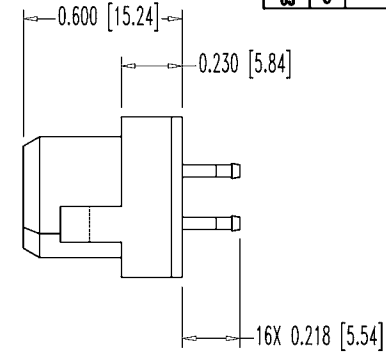
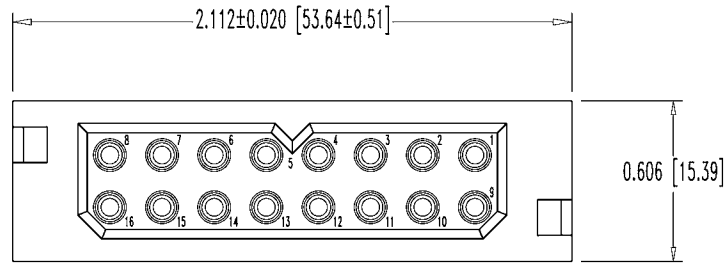


SK5280

POSITRONIC INDUSTRIES BELIEVES THE DATA ON THIS DRAWING TO BE RELIABLE, SINCE THE TECHNICAL INFORMATION IS GIVEN FREE OF CHARGE, THE USER EMPLOYS SUCH INFORMATION AT HIS OWN DISCRETION AND RISK. POSITRONIC INDUSTRIES ASSUMES NO RESPONSIBILITY FOR RESULTS OBTAINED OR DAMAGES INCURRED FROM USE OF SUCH INFORMATION IN WHOLE OR IN PART.

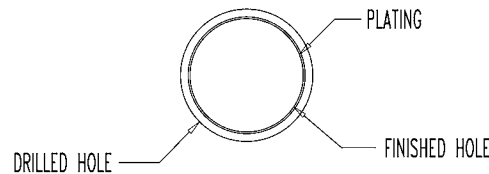
DATE	REV	REVISION RECORD	APP	DR	CK
1-26 04	NC	ECO 21924	RCW	ME	TK
5-19 04	A	ECO 22443	RCW	YK	COLE
6-23 05	B	ECO 24265	RCW	YK	ME
8-30 05	C	ECO 24567		LO	



CONTACT HOLE PATTERN

NOTES:

- MATERIALS AND FINISHES:
 INSULATOR: GLASS FILLED POLYESTER. UL 94V-0, COLOR BLUE.
 CONTACTS: PRECISION MACHINED COPPER ALLOY, GOLD FLASH OVER NICKEL.
 MOUNTING SCREWS: STEEL, ZINC PLATE.
- ELECTRICAL CHARACTERISTICS:
 CONTACT CURRENT RATING: 21 AMPS PER UL 1977.
 INITIAL CONTACT RESISTANCE: 0.0016 OHMS MAX. PER IEC 512-2, TEST 2b.
 INSULATION RESISTANCE: 5 G OHMS PER IEC 512-2, TEST 3a, METHOD A.
 WORKING VOLTAGE: 600 VAC.
- WORKING TEMPERATURE: -55°C TO +125°C.
- DIMENSIONS ARE IN INCHES [MILLIMETERS].



PRESS-FIT CONTACT HOLE SEE SK6370

DETAIL A

	POSITRONIC INDUSTRIES INC. www.connectpositronic.com	
	DECIMAL TOL. ± 0.015 [0.38]	SCALE N.T.S.
ANGULAR TOL. ± 5°	PCS SERIES TITLE PLB16F93ST30A1	DRAWN BY M. ENEA APPROVED BY RCW
DATE 1-26-04	DRAWING NUMBER SK5280	REV. C