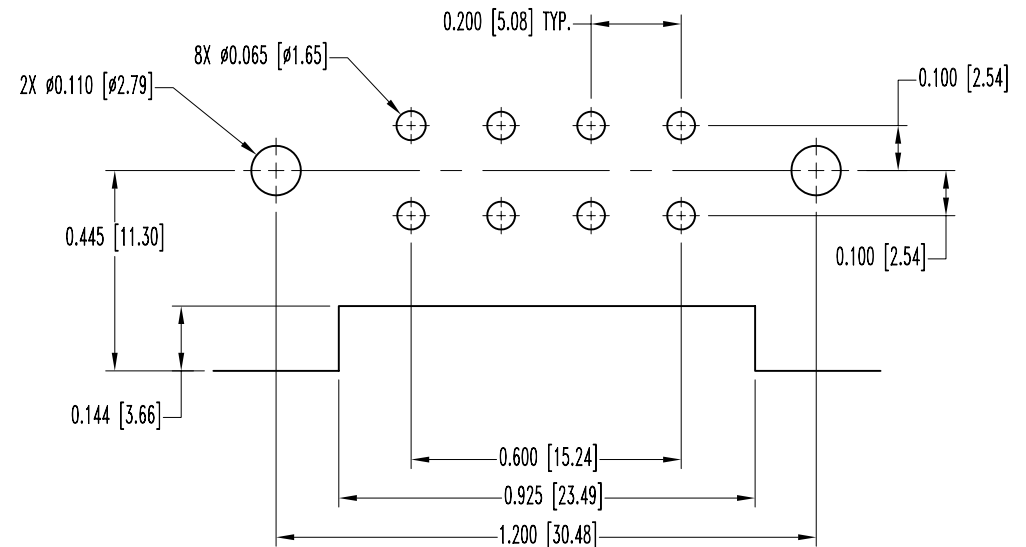
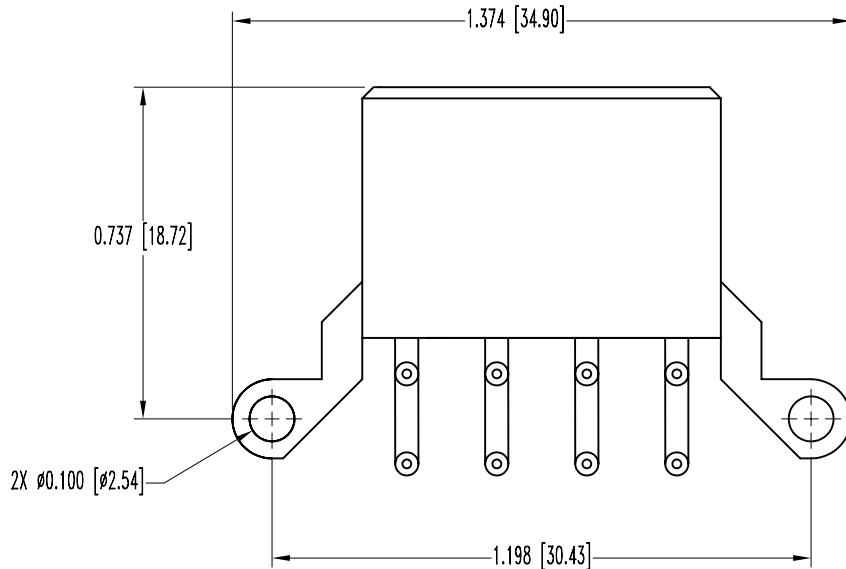
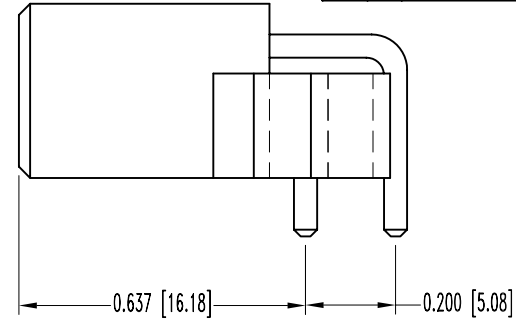
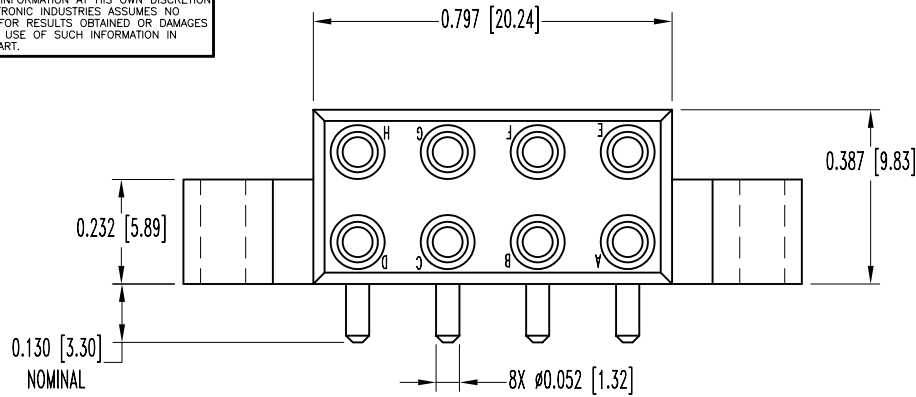


SK7195

POSITRONIC INDUSTRIES BELIEVES THE DATA ON THIS DRAWING TO BE RELIABLE. SINCE THE TECHNICAL INFORMATION IS GIVEN FREE OF CHARGE, THE USER EMPLOYS SUCH INFORMATION AT HIS OWN DISCRETION AND RISK. POSITRONIC INDUSTRIES ASSUMES NO RESPONSIBILITY FOR RESULTS OBTAINED OR DAMAGES INCURRED FROM USE OF SUCH INFORMATION IN WHOLE OR IN PART.

DATE	REV	REVISION RECORD	APP	DR	CK
3-21-06	NC	ECO 25671		YK	



CONTACT HOLE PATTERN

NOTES:

- MATERIALS AND FINISHES:
 INSULATOR: GLASS FILLED POLYESTER, UL 94V-0, BLUE COLOR.
 CONTACTS: HIGH CONDUCTIVITY PRECISION MACHINED COPPER ALLOY, WITH GOLD FLASH OVER NICKEL PLATE.
- ELECTRICAL CHARACTERISTICS:
 INITIAL CONTACT RESISTANCE: 0.003 OHMS MAXIMUM PER IEC 512-2, TEST 2b.
 CONTACT CURRENT RATING: 15 AMPERES PER CONTACT, CONTINUOUS, ALL CONTACTS UNDER LOAD. DERATED PER IEC 512-3 TEST 5b.
 INSULATOR RESISTANCE: 5 G OHMS PER 512-2, TEST 3a, METHOD A.
 WORKING VOLTAGE: DESIGNED TO MEET UL 660 VAC AND CSA 600 VAC.
- WORKING TEMPERATURE: -55°C TO +125°C.
- CONNECTORS ARE ROHS COMPLIANT PER ROHS DIRECTIVE 2002/95/EC OF 27 JAN 2003.
- DIMENSIONS ARE IN INCHES [MILLIMETERS].

	POSITRONIC INDUSTRIES INC. www.connectpositronic.com		SCALE	DRAWN BY
	VPN SERIES		N.T.S.	YK
DECIMAL TOL. ± 0.015 [0.38]	TITLE VPN8W8F400A1/AA		APPROVED BY	
ANGULAR TOL. ± 5°	DATE 3-21-06	DRAWING NUMBER SK7195	REV. NC	