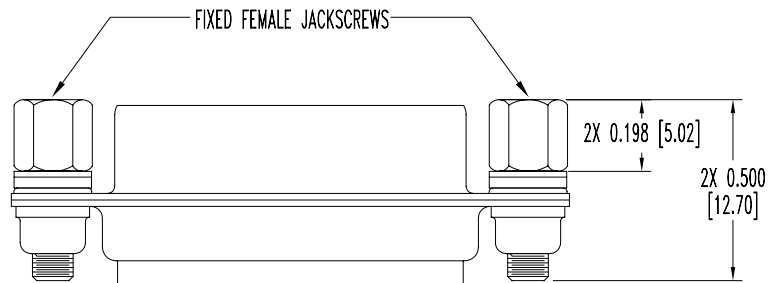
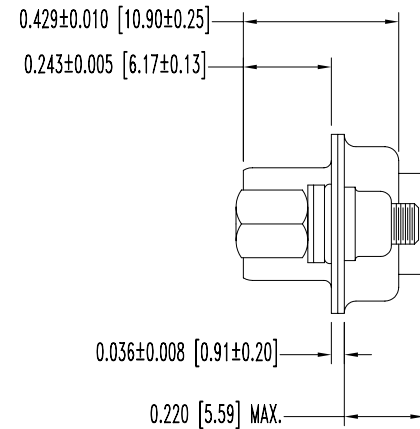
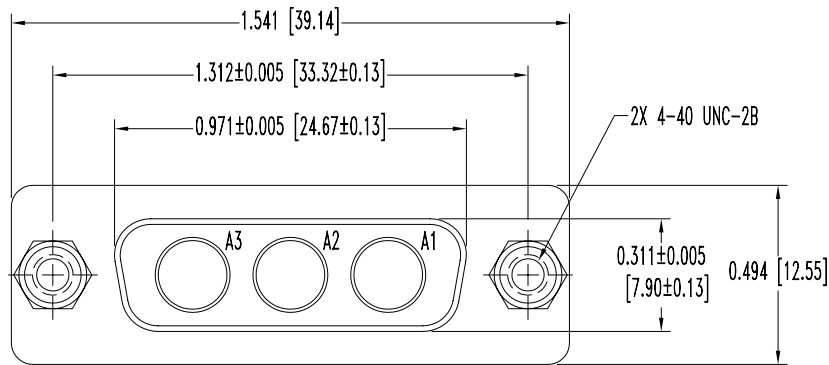


SK8804


POSITRONIC INDUSTRIES BELIEVES THE DATA ON THIS DRAWING TO BE RELIABLE. SINCE THE TECHNICAL INFORMATION IS GIVEN FREE OF CHARGE, THE USER EMPLOYS SUCH INFORMATION AT HIS OWN DISCRETION AND RISK. POSITRONIC INDUSTRIES ASSUMES NO RESPONSIBILITY FOR RESULTS OBTAINED OR DAMAGES INCURRED FROM USE OF SUCH INFORMATION IN WHOLE OR IN PART.

DATE	REV	REVISION RECORD	APP	DR	CK
8-1-07	NC	ECO 28252	RCW	YK	COLE



NOTES:

- MATERIALS AND FINISHES:**
 INSULATOR: GLASS FILLED POLYESTER PER MIL-M-24519, UL 94V-0, BLUE COLOR.
 SHELLS: STEEL, TIN PLATE.
 CLINCH NUT: BRASS, TIN PLATE.
 JACKSCREWS: STEEL, TIN PLATE.
 WASHERS: BRASS, TIN PLATE.
- ELECTRICAL CHARACTERISTICS:**
 INSULATOR RESISTANCE: 5 G OHMS.
 WORKING VOLTAGE: 300 V r.m.s.
 TEMPERATURE RANGE: -55°C TO +125°C.
- CONNECTORS ARE ROHS COMPLIANT PER ROHS DIRECTIVE 2002/95/EC OF 27 JAN 2003.
- DIMENSIONS ARE IN INCHES [MILLIMETERS].

		POSITRONIC INDUSTRIES INC. www.connectpositronic.com		FSCM 28198
		CBD SERIES		SCALE: N.T.S. DRAWN BY: YK APPROVED BY: RCW
DECIMAL TOL. ± 0.015 [0.38]		TITLE: CBD3W3F0S50T2X/AA		
ANGULAR TOL. ± 5°		DATE: 8-1-07	DRAWING NUMBER: SK8804	REV.: NC