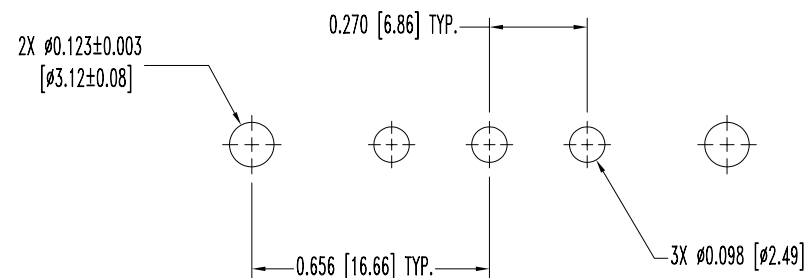
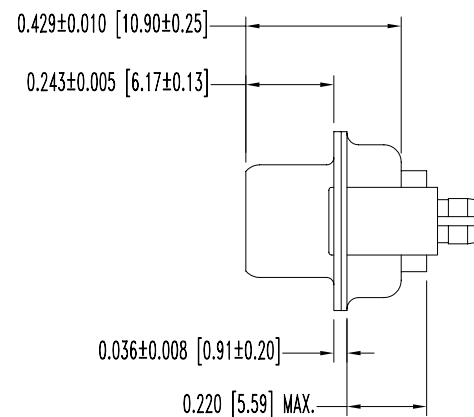
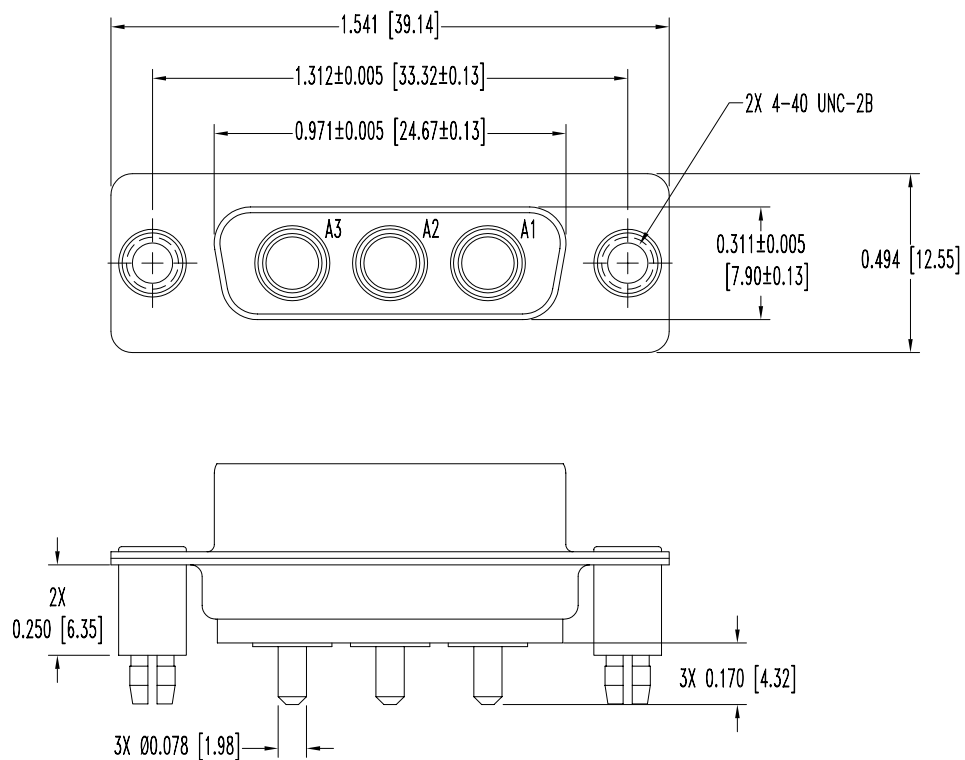


POSITRONIC INDUSTRIES BELIEVES THE DATA ON THIS DRAWING TO BE RELIABLE. SINCE THE TECHNICAL INFORMATION IS GIVEN FREE OF CHARGE, THE USER EMPLOYS SUCH INFORMATION AT HIS OWN DISCRETION AND RISK. POSITRONIC INDUSTRIES ASSUMES NO RESPONSIBILITY FOR RESULTS OBTAINED OR DAMAGES INCURRED FROM USE OF SUCH INFORMATION IN WHOLE OR IN PART.

DATE	REV	REVISION RECORD	APP	DR	CK
7-13-07	NC	ECO 28166	RCW	YK	COLE



NOTES:

1. MATERIALS AND FINISHES:

INSULATOR: GLASS FILLED POLYESTER PER MIL-M-24519 UL 94V-0, BLUE COLOR.
CONTACTS: MACHINED OF HIGH CONDUCTIVITY COPPER ALLOY,
GOLD FLASH OVER NICKEL.

SHELLS: STEEL WITH TIN PLATE.

PUSH-ON FASTENERS: PHOSPHOR BRONZE, TIN PLATE.

2. ELECTRICAL CHARACTERISTICS:

CONTACT CURRENT RATING: 15 AMPERES NOMINAL.
INITIAL CONTACT RESISTANCE: 0.0005 OHMS MAXIMUM.
PROOF VOLTAGE: 1000 V r.m.s.
INSULATOR RESISTANCE: 5 G OHMS.
WORKING VOLTAGE: 300 V r.m.s.

3. TEMPERATURE RANGE: -55°C TO +125°C.

4. DIMENSIONS ARE IN INCHES [MILLIMETERS].

CONTACT HOLE PATTERN

		POSITRONIC INDUSTRIES INC. www.connectpositronic.com		FSCM 28198	
		CBD SERIES	SCALE N.T.S.	DRAWN BY YK	
DECIMAL TOL. ± 0.015 [0.38]	TITLE CBD3W3F35S600X				
ANGULAR TOL. ± 5°	DATE 7-13-07	DRAWING NUMBER SK8752	REV. NC		